



Statesman[®]

Ornamental
Steel Fence
Solutions

FENCE SOLUTIONS IN ORNAMENTAL • CHAIN LINK • WOOD • PVC • ACCESS CONTROL WWW.MERCHANTSMETALS.COM 866-888-5611



Merchants Metals[®]

the first name in fence solutions

Statesman® Ornamental Fence Systems from Merchants Metals combine old-world charm with modern technology to provide affordable and secure solutions for any residential or light commercial application.

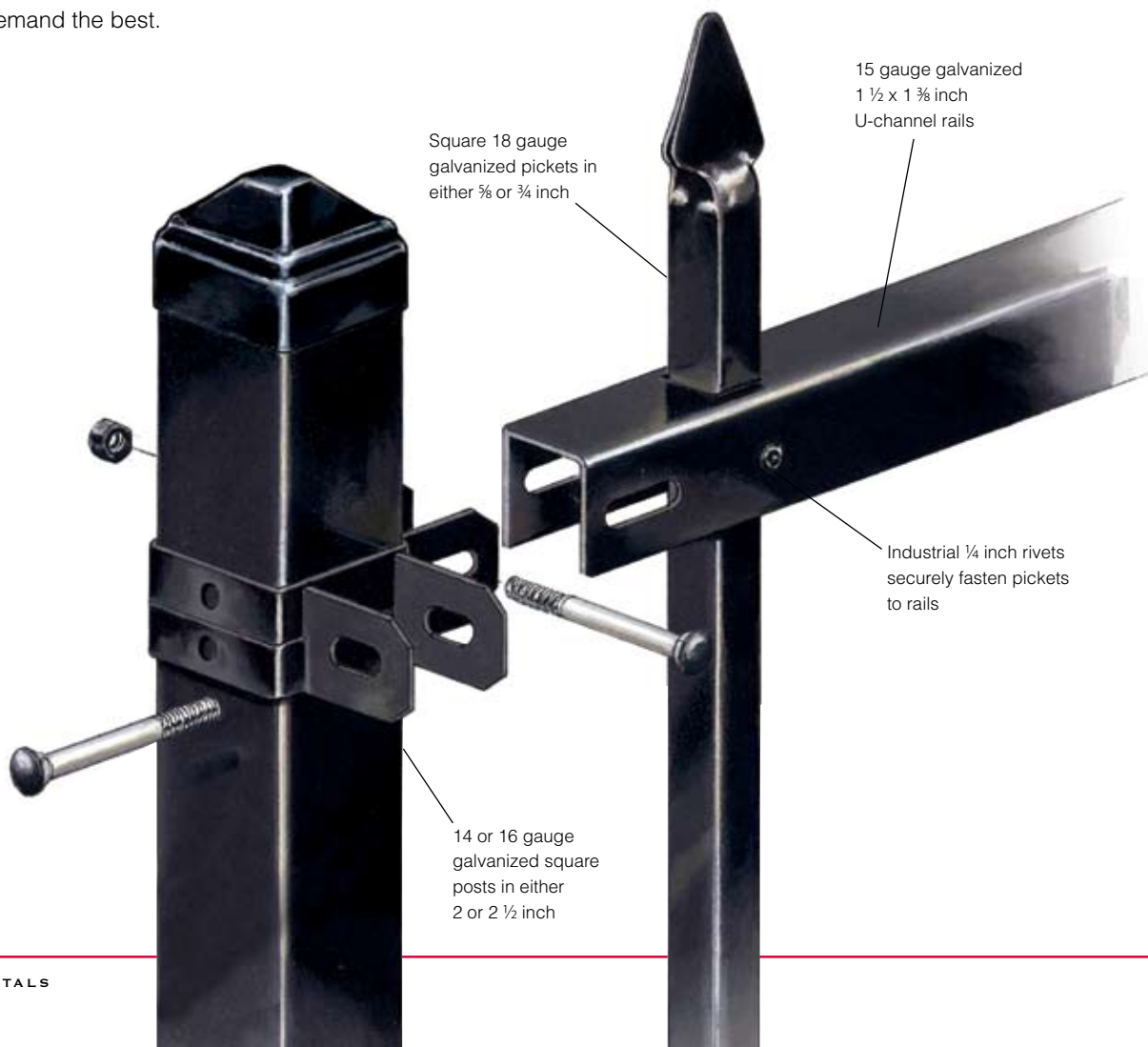
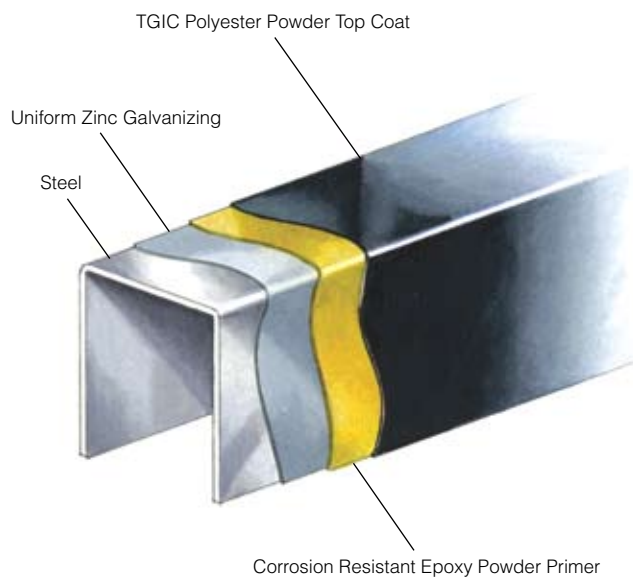
Fabricated with galvanized steel and our durable powder coated finish, Statesman® fencing comes in three styles and assures years of maintenance-free beauty and performance. All styles are available in 4, 5 and 6 foot heights.

Statesman® panels are preassembled at the factory to minimize installation time. Panels and hardware are carefully packaged and sealed on pallets to ensure economical, damage-free shipping.

Offering durability, affordability and a wide variety of style options, Statesman® is designed to satisfy the discerning customer. Statesman® fencing offers the consumer a time-tested and proven method of production that promises to be not only attractive, but also virtually maintenance free. Backed by an extensive 20-year warranty and constructed in the best possible conditions, Statesman® sets the industry standard for quality ornamental steel fencing.



Don't settle – demand the best.





THE KENT - TWO RAIL WITH FINIALS



THE MONROE - TWO RAIL FENCE STYLE



THE LAFAYETTE - THREE RAIL FENCE STYLE



THE MONROE - THREE RAIL FENCE STYLE

State-of-the-Art Powder Coating Process

All powder coating is not the same. Due to a thorough, state-of-the-art coating process, Statesman® offers incomparable excellence in any residential or light commercial application. The steel is thoroughly cleaned in a five-stage process, which prepares it to effectively accept the corrosion resistant epoxy powder primer. The primer allows the final color coat to permanently adhere to the metal, lending a greater degree of adhesion to the final finish. Each individual component of the fence is specifically coated to guarantee optimal performance.

Surpassing industry standards for powder coated finishes, Statesman® is sure to exceed all performance expectations. Don't be fooled by



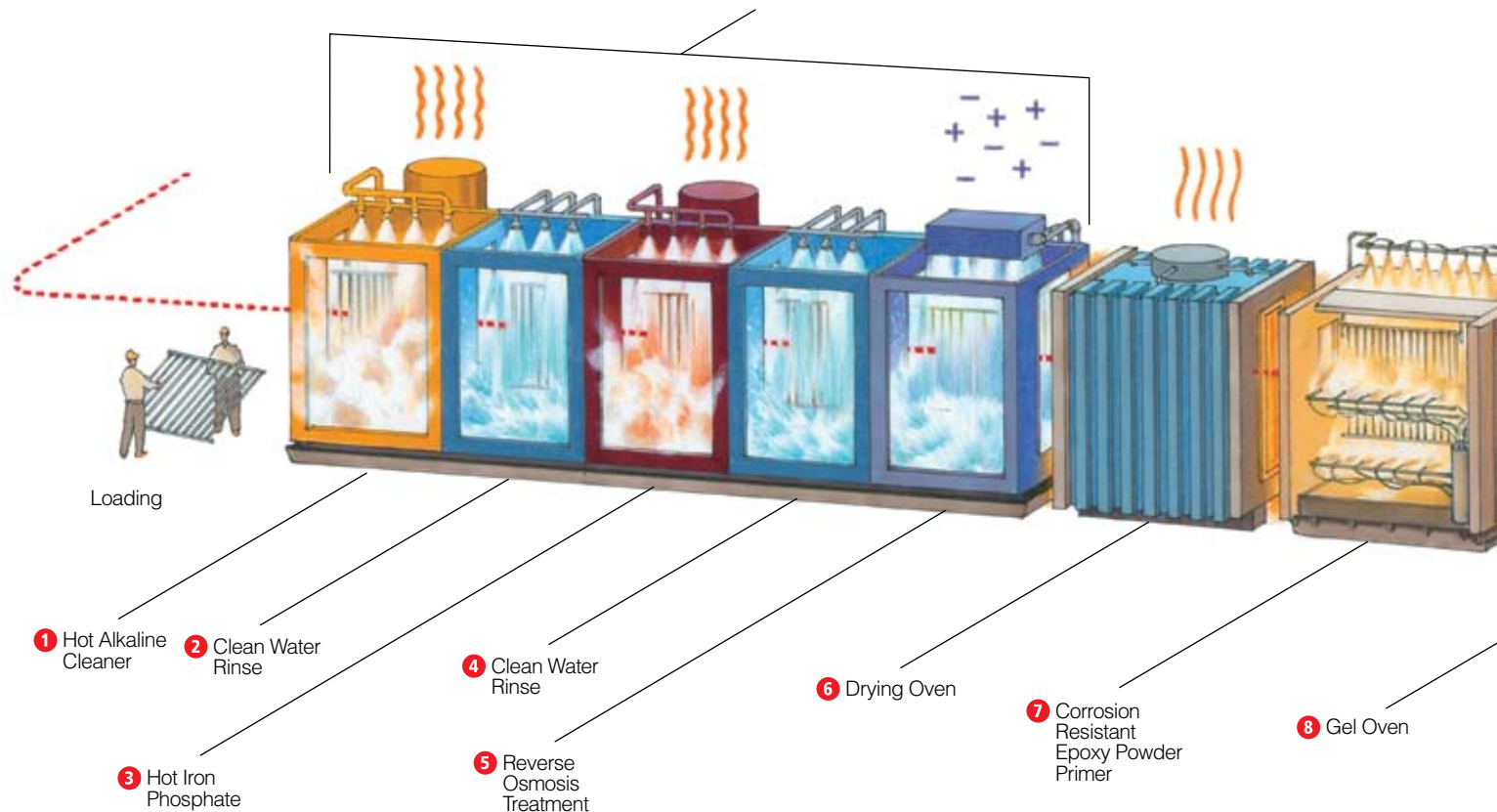
Merchants Metals Quality Powder Coated Finish



A three-year old painted fence that has already been re-painted four times.

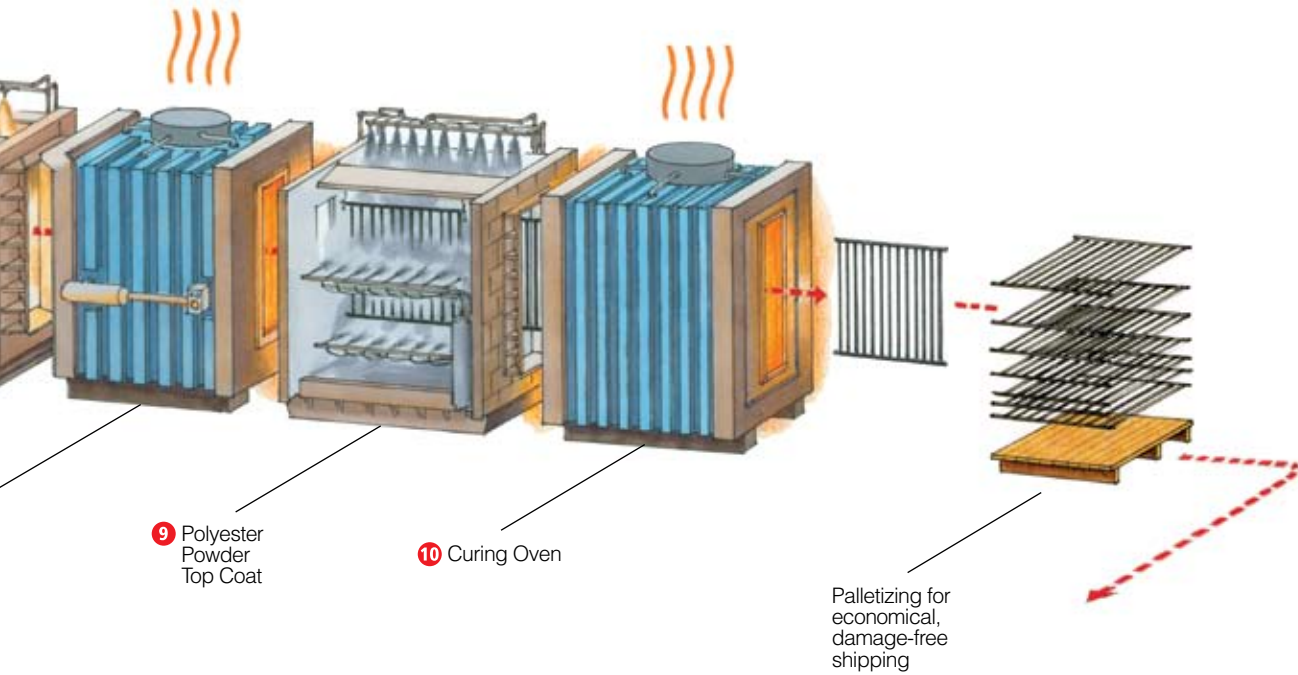
imitations – inferior powder coating will not withstand the test of time. Be sure that the fence you select will provide not only beauty and safety, but also years of quality performance.

Five Stage Cleaning Process

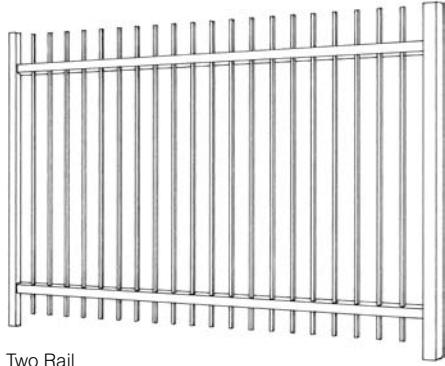




THE LAFAYETTE - THREE RAIL FENCE STYLE

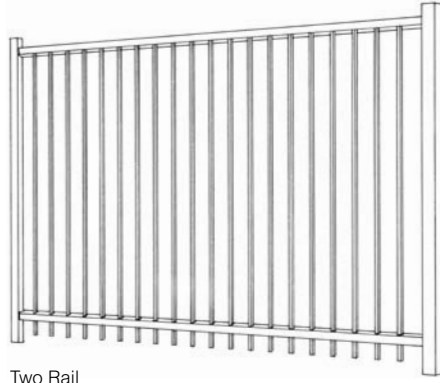


The Kent
flat top pickets



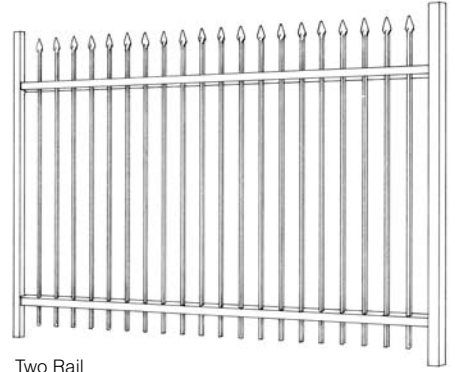
Two Rail

The Monroe
clean, simple lines

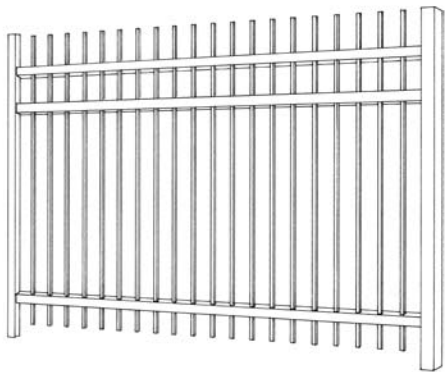


Two Rail

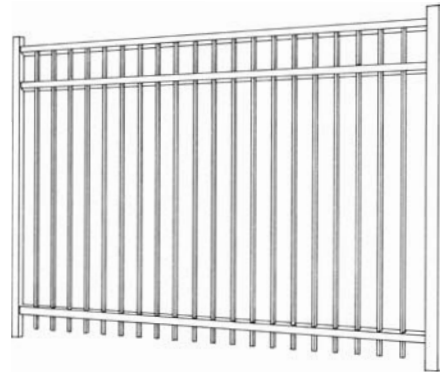
The Lafayette
pressed point picket tops



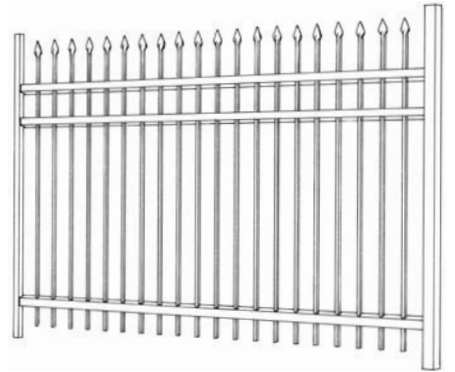
Two Rail



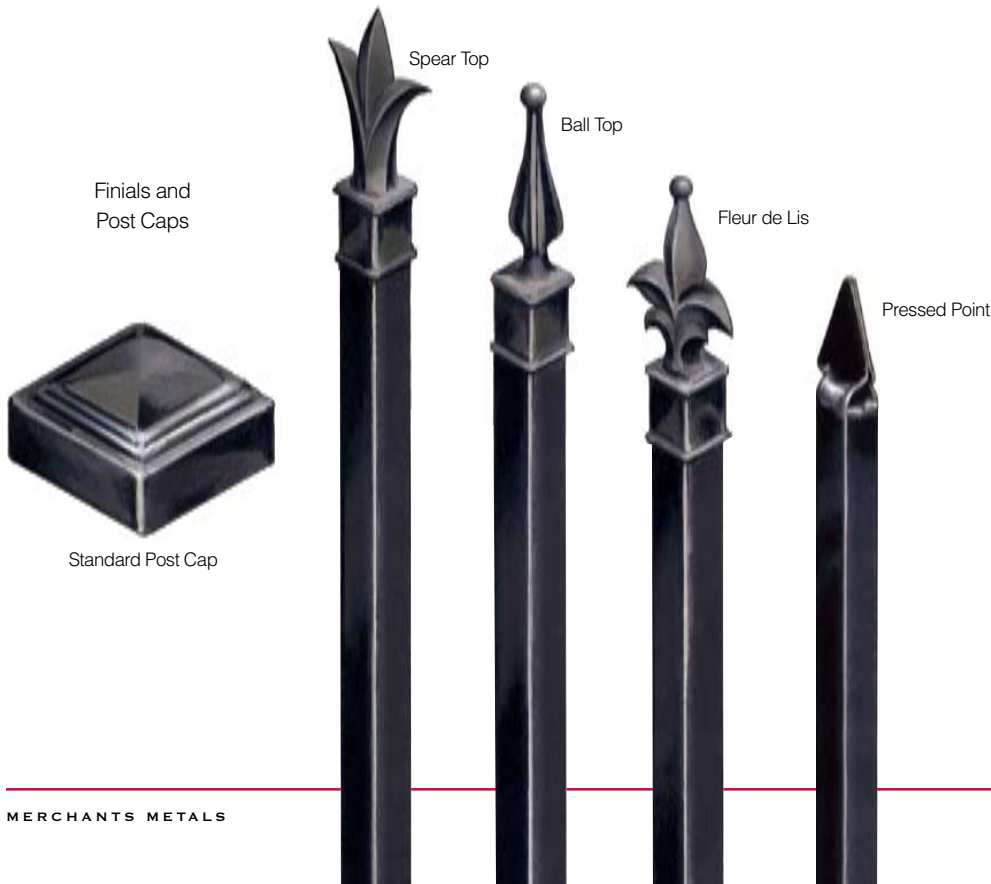
Three Rail



Three Rail



Three Rail



Finials and Post Caps

Spear Top

Ball Top

Fleur de Lis

Pressed Point

Standard Post Cap

Fabricated with galvanized steel and our durable powder coated finish, Statesman® fencing comes in three styles and assures years of maintenance-free beauty and performance. All styles are available in 4, 5 and 6 foot heights.

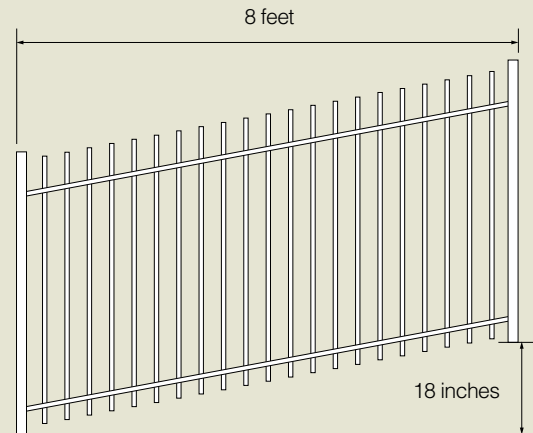
SPECIFICATIONS

Fence Panel and Gate Standard Dimensions

	Statesman Residential	Statesman Heavy Duty
Picket Size	5/8 inch square 18 gauge	3/4 inch square 18 gauge
Rail Size	1 1/2 inch x 1 3/8 inch x 15 gauge U-Channel	1 1/2 inch x 1 3/8 inch x 15 gauge U-Channel
Picket Spacing	4 3/8 inch on centers	4 3/8 inch on centers
Panel Length	92 1/2 inch	92 1/2 inch
Number of Pickets	20	20
Post Size	2 inch 14 gauge & 16 gauge	2 1/2 inch 14 gauge



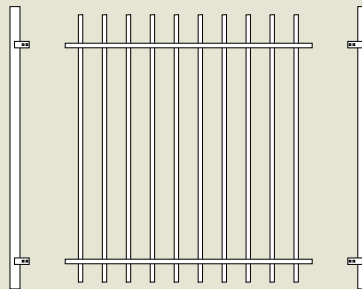
THE MONROE - THREE RAIL SINGLE GATE



Each 8 foot, 2 rail section with a 5/8 inch picket accommodates elevation changes up to 18 inches.



THE LAFAYETTE - TWO RAIL SINGLE GATE



Statesman® fencing offers a flexible gate kit which accommodates a variety of applications.

Mounting Bracket



Universal Mounting Bracket



Swivel Bracket



Additional Fence Solutions

Merchants Metals is the largest American-owned and operated manufacturer and distributor of fence systems in the nation. Our complete line of fence solutions for residential, commercial and industrial applications includes steel ornamental in both component and fully welded systems, hot dipped galvanized and color coated chain link fence systems, wood and vinyl systems, aluminum ornamental

systems, temporary fence and pedestrian barricades, guardrail, aluminum track gates and access control products.

All Merchants Metals products are available through our Authorized Dealer network and other professional fence contractors.

To find out more about Merchants Metals and the fencing solutions we offer, please call 866.888.5611 or visit www.merchantsmetals.com.

ORNAMENTAL



CHAIN LINK



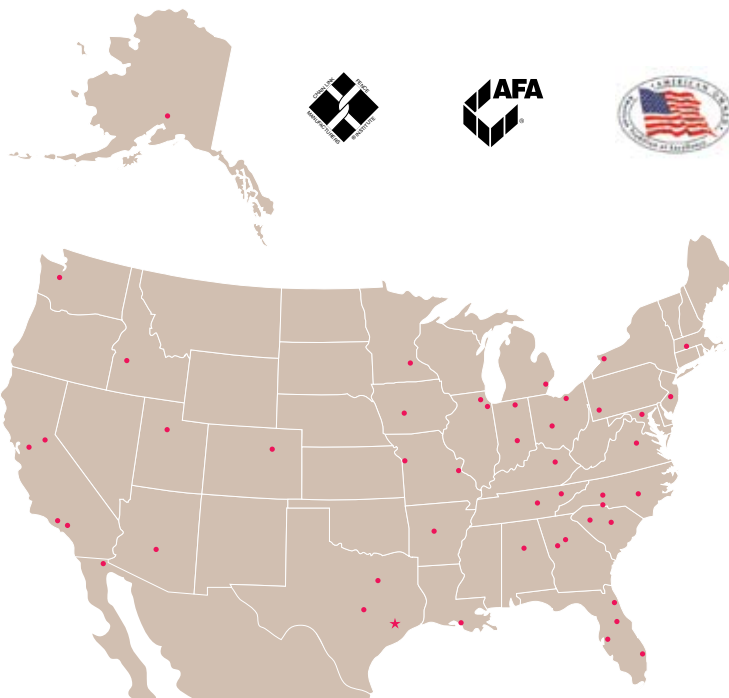
WOOD



PVC



ACCESS CONTROL



Merchants Metals®

the first name in fence solutions

3838 N. Sam Houston Pkwy. E., Suite 600

Houston, Texas 77032

281.372.3800 866.888.5611 fax 281.372.3801

www.merchantsmetals.com

a division of MMI Products, Inc.