

# Secure-Weld<sup>®</sup> Plus Rackable

Galvanized  
Welded  
Rackable  
Panel



FENCE SOLUTIONS IN ORNAMENTAL • CHAIN LINK • WOOD • PVC • ACCESS CONTROL • TEMPORARY

WWW.MERCHANTSMETALS.COM 866-888-5611

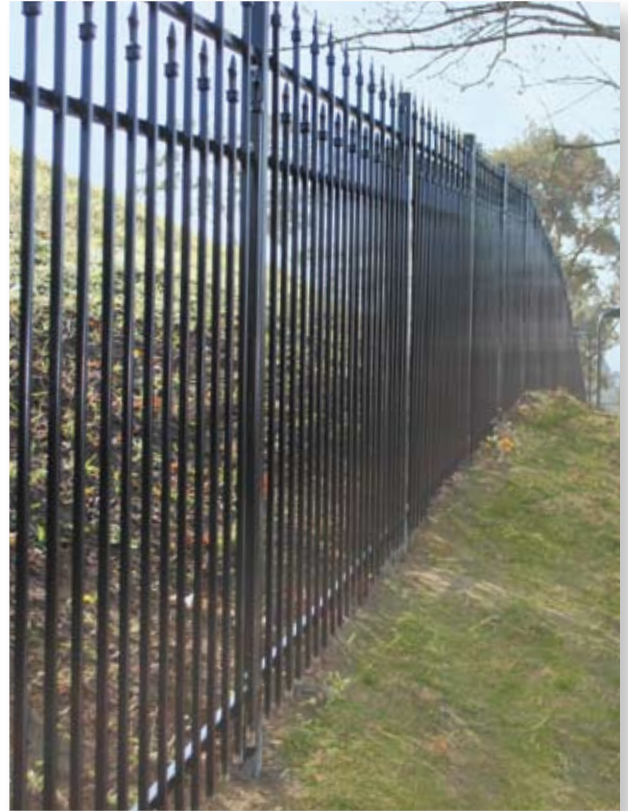
 Merchants Metals<sup>®</sup>  
*the first name in fence solutions*

**H**ave you ever seen a face welded ornamental panel adjust to such terrain? Merchants Metals' new Secure-Weld® Plus Rackable panel not only adjusts to uneven terrain, but also adjusts to steeper terrain than most welded panels on the market today.



Designed with an innovative method for attaching the pickets to the rails, Secure-Weld® Plus Rackable panels can easily rack an astounding 48" in an 8' section. This impressive new design provides the perfect solution to extreme changes in ground elevation and eliminates the need for the costly and time consuming "stepped" installation method.

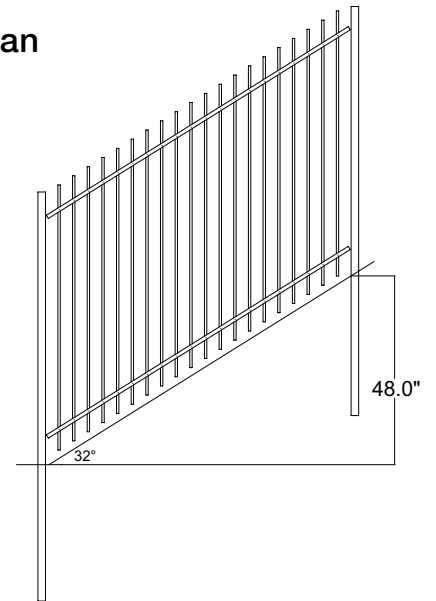
As with the entire Secure-Weld® Plus product line, our new Rackable panels are made with pre-galvanized steel which creates an added layer of protective coating. The pickets and rails are welded together to provide dependable strength and security and to minimize installation time.



**FEATURES**

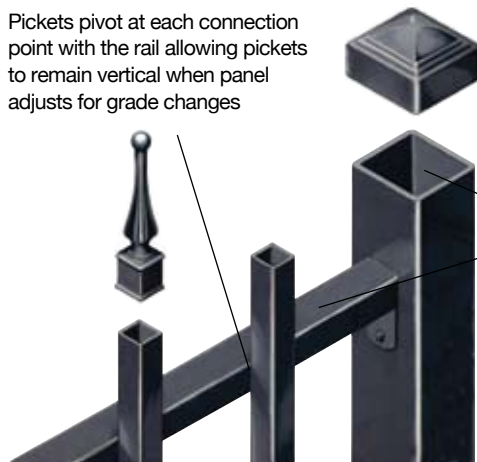
- 48" of Rackability in an 8' Section
- Fully Assembled Panels
- Galvanized Steel
- Powder Coated
- Ten Year Limited Warranty

**48" of Rackability in an 8' Section!**



Available in 4', 5' and 6' heights and in 2 and 3 rail styles, Secure-Weld® Plus Rackable panels blend seamlessly with our standard Secure-Weld® Plus *Sentry* and *Vista* styles.

Pickets pivot at each connection point with the rail allowing pickets to remain vertical when panel adjusts for grade changes



Every post, rail and picket is galvanized for maximum durability.



866.888.5611  
 www.merchantsmetals.com  
 info@merchantsmetals.com