

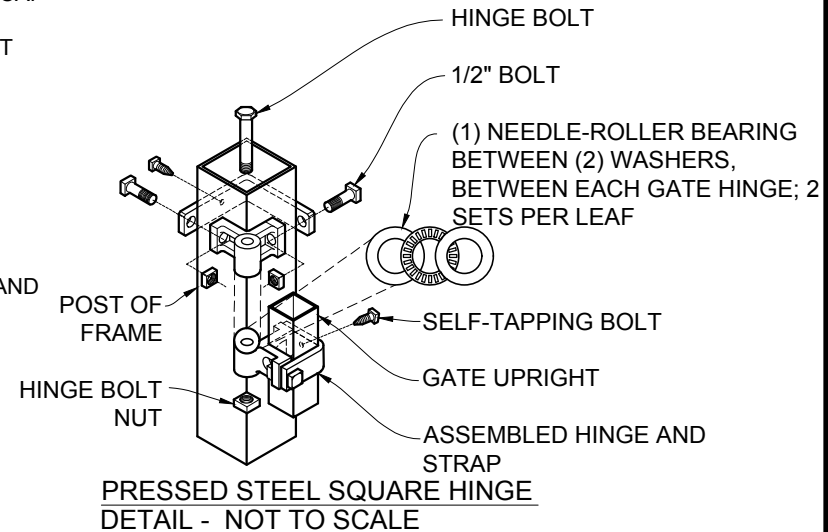
POST DEPTH CHART*	
HEIGHT OF GATE	POST BELOW GRADE
5' OR LESS	2'
6' OR MORE	3'

ARCH CHART	
WIDTH OF OPENING	HEIGHT OF ARCH
14'	12"
14' - 24'	12" or 15"

* SEE NOTE 3 TO VERIFY

NOTES:

- SPECIFICATIONS SHOWN CAN BE CHANGED BY THE MANUFACTURER ONLY.
- ALL COMPONENTS OF THE GATE TO BE COATED BLACK.
- VERIFY POST DEPTH AND FOOTING DIMENSIONS WITH LOCAL CODES AND SITE CONDITIONS.
- CUSTOM DIMENSIONS ARE AVAILABLE UPON REQUEST. FOR HIGHER CUSTOM GATES, PLEASE CONTACT THE STATESVILLE PLANT.
- OUTSIDE LOOKING IN, GATE LATCHES IN THE MIDDLE
- FOR LARGER CUSTOM GATES, PLEASE CONTACT THE STATESVILLE PLANT. GATE OPENINGS OVER 16' WILL REQUIRE ADDITIONAL SUPPORT.
- POST SIZE WILL VARY DEPENDING UPON WIDTH AND HEIGHT OF GATE.



COPYRIGHT © MERCHANTS METALS
ALL RIGHTS RESERVED

Merchants Metals
the first name in fence solutions

GUARDSMAN GATE - LAFAYETTE
DOUBLE DRIVE COMPOUND ARCH 3 TO 4 RAILS
14' TO 24' WIDE OPENING x 3' TO 8' HIGH
(Nom.Dimension)

BY: J.R.

DATE: 26 OCT 20

REV: D.C.

DWG. NO.

GM CA COM LF 14-24W x 3-8H DD

SCALE:

AS NOTED