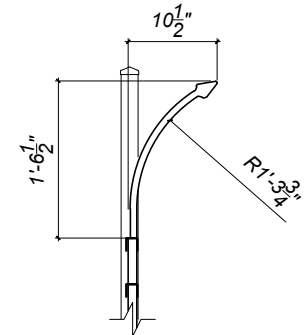


- NOTES:
1. SPECIFICATIONS SHOWN CAN BE CHANGED BY THE MANUFACTURER ONLY.
 2. ALL COMPONENTS OF THE GATE TO BE COATED BLACK.
 3. VERIFY POST DEPTH AND FOOTING DIMENSIONS WITH LOCAL CODES AND SITE CONDITIONS.
 4. CUSTOM DIMENSIONS ARE AVAILABLE UPON REQUEST. FOR HIGHER CUSTOM GATES, PLEASE CONTACT THE STATESVILLE PLANT.
 5. OUTSIDE LOOKING IN, GATE LATCHES IN THE MIDDLE
 6. FOR LARGER CUSTOM GATES, PLEASE CONTACT THE STATESVILLE PLANT. GATE OPENINGS OVER 16' WILL REQUIRE ADDITIONAL SUPPORT.
 7. POST SIZE WILL VARY DEPENDING UPON WIDTH AND HEIGHT OF GATE

POST DEPTH CHART*

HEIGHT OF GATE	POST BELOW GRADE
5' OR LESS	2'
6' OR MORE	3'

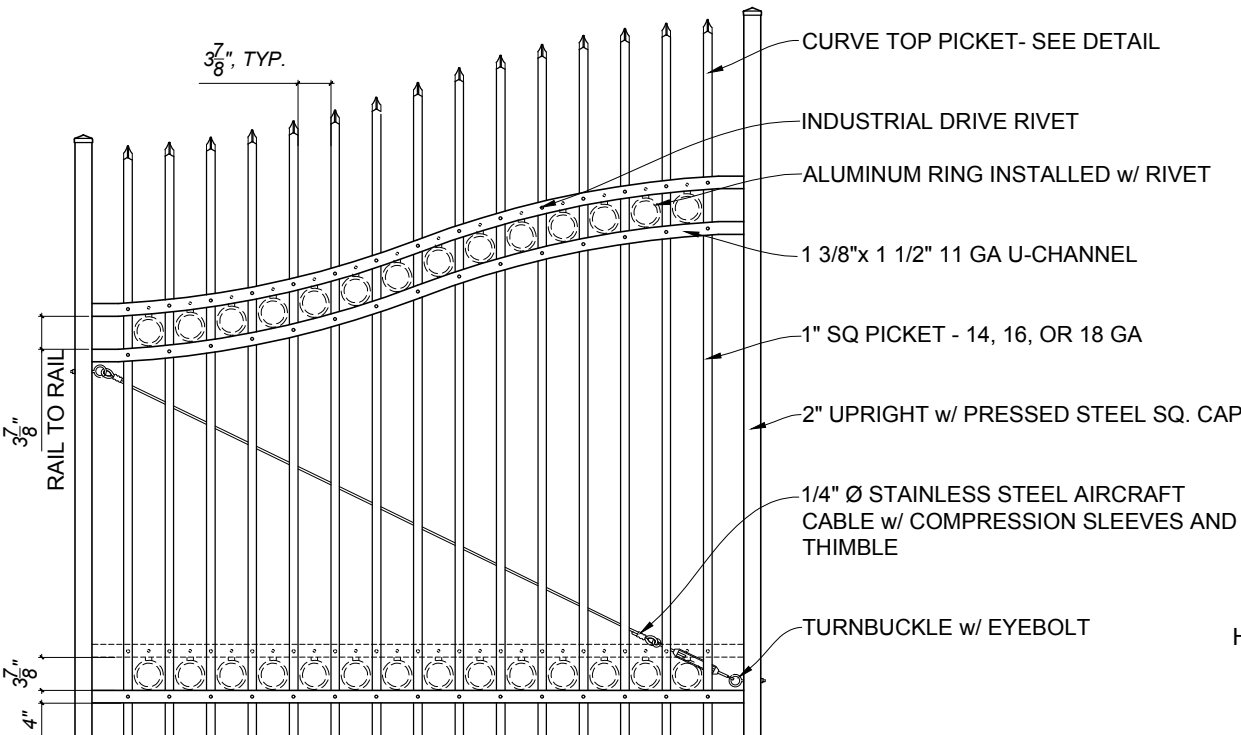


CURVED TOP PICKET
DETAIL 1/2"=1'-0"

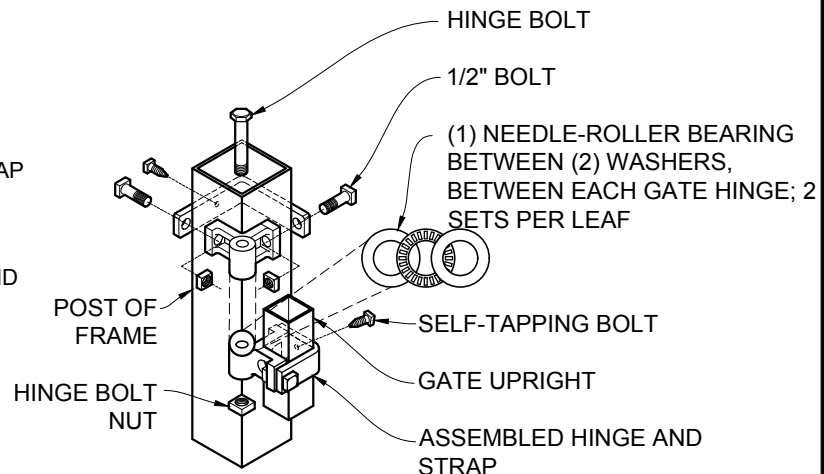
ARCH CHART

WIDTH OF OPENING	HEIGHT OF ARCH
14'	12"
14'-24'	12" or 15"

* SEE NOTE 3 TO VERIFY



GUARDSMAN GATE - CURVE TOP
PANEL A ELEVATION 1/2"=1'-0"



PRESSED STEEL SQUARE HINGE
DETAIL - NOT TO SCALE

COPYRIGHT © MERCHANTS METALS
ALL RIGHTS RESERVED

Merchants Metals
the first name in fence solutions

GUARDSMAN GATE - CURVE TOP
DOUBLE DRIVE COMPOUND ARCH 3 TO 4 RAILS

14' TO 24' WIDE OPENING x 6' TO 8' HIGH
(Nom. Dimension)

BY: J.R.

DATE: 26 OCT 20

REV: D.C.

DWG. NO.
GM CA IND CT 14-24W x6-8H DD

SCALE:
AS NOTED