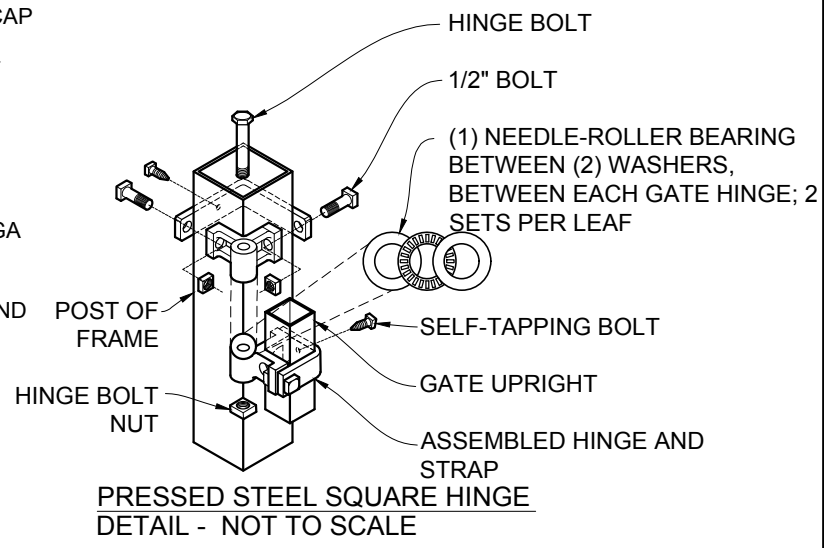
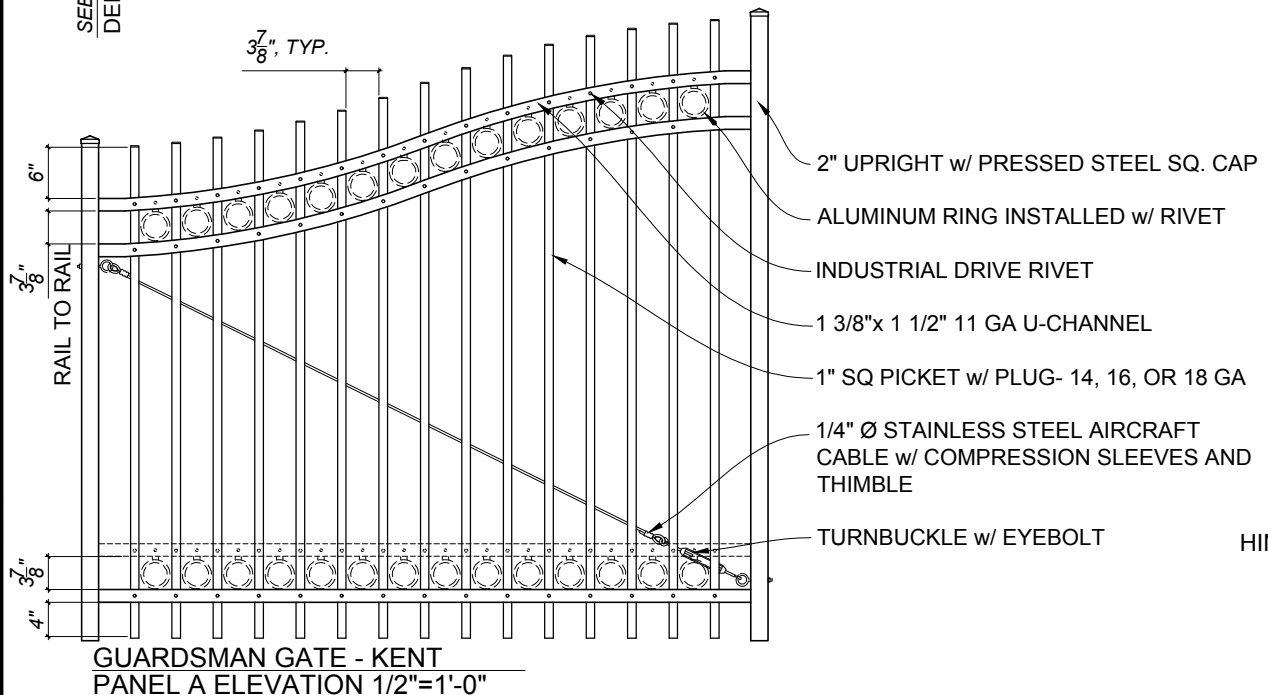


POST DEPTH CHART*	
HEIGHT OF GATE	POST BELOW GRADE
5' OR LESS	2'
6' OR MORE	3'

ARCH CHART	
WIDTH OF OPENING	HEIGHT OF ARCH
14'	12"
14' - 24'	12" or 15"

\* SEE NOTE 3 TO VERIFY

- NOTES:
- SPECIFICATIONS SHOWN CAN BE CHANGED BY THE MANUFACTURER ONLY.
  - ALL COMPONENTS OF THE GATE TO BE COATED BLACK.
  - VERIFY POST DEPTH AND FOOTING DIMENSIONS WITH LOCAL CODES AND SITE CONDITIONS.
  - CUSTOM DIMENSIONS ARE AVAILABLE UPON REQUEST. FOR HIGHER CUSTOM GATES, PLEASE CONTACT THE STATESVILLE PLANT.
  - OUTSIDE LOOKING IN, GATE LATCHES IN THE MIDDLE
  - FOR LARGER CUSTOM GATES, PLEASE CONTACT THE STATESVILLE PLANT. GATE OPENINGS OVER 16' WILL REQUIRE ADDITIONAL SUPPORT.
  - POST SIZE WILL VARY DEPENDING UPON WIDTH AND HEIGHT OF GATE.



COPYRIGHT © MERCHANTS METALS  
ALL RIGHTS RESERVED

**Merchants Metals**  
the first name in fence solutions

GUARDSMAN GATE - KENT  
DOUBLE DRIVE COMPOUND ARCH 3 TO 4 RAILS

14' TO 24' WIDE OPENING x 3' TO 8' HIGH  
(Nom.Dimension)

BY: J.R.  
DATE: 26 OCT 20  
REV: D.C.

DWG. NO.  
GM CA IND KN 14-24W x 3-8H DD  
SCALE:  
AS NOTED