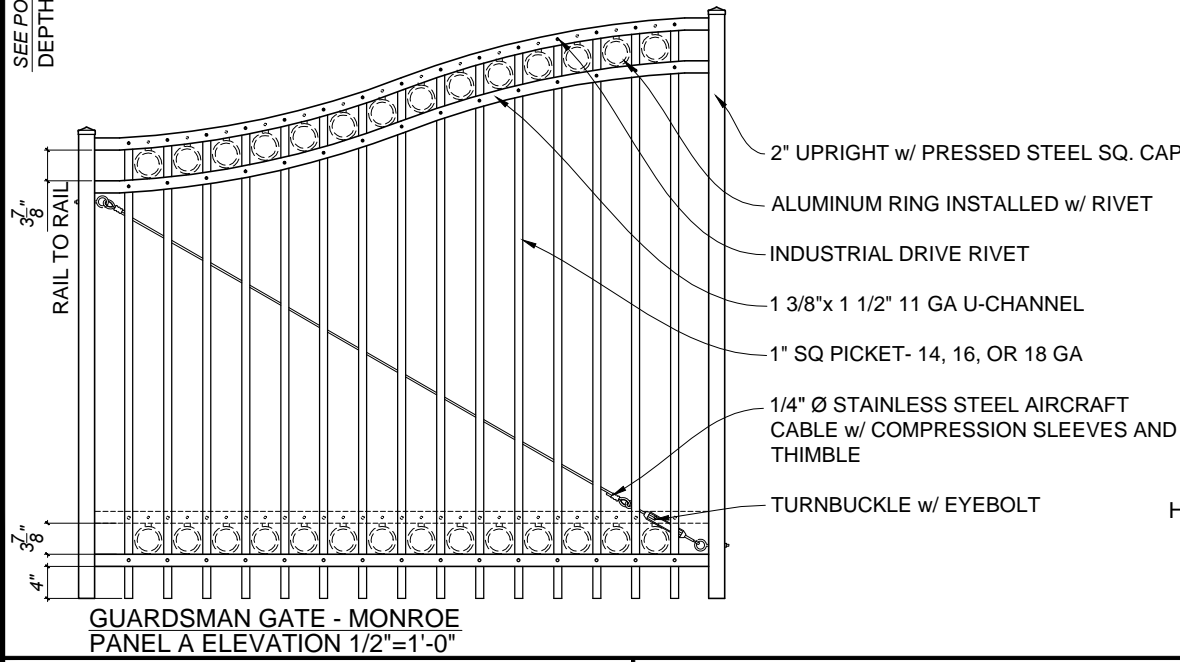


GUARDSMAN GATE - MONROE
ELEVATION - OUTSIDE LOOKING IN 1/4"=1'-0"



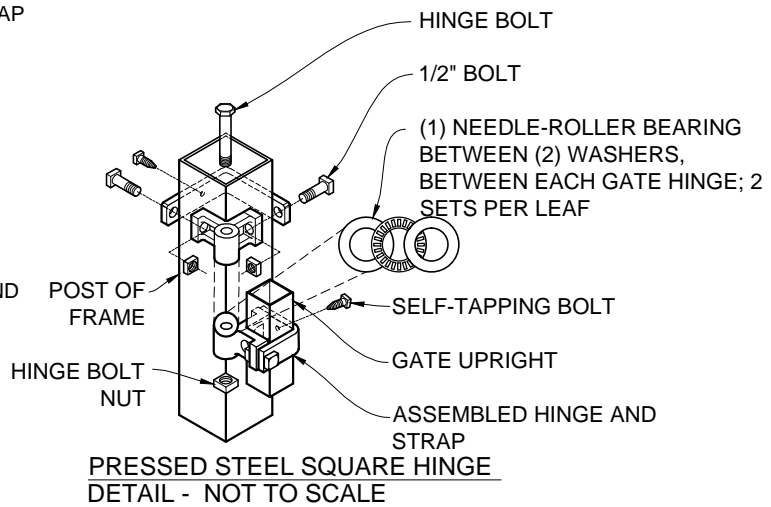
GUARDSMAN GATE - MONROE
PANEL A ELEVATION 1/2"=1'-0"

POST DEPTH CHART*	
HEIGHT OF GATE	POST BELOW GRADE
5' OR LESS	2'
6' OR MORE	3'

ARCH CHART	
WIDTH OF OPENING	HEIGHT OF ARCH
10'-14'	12"
14' AND UP	12" or 15"

* SEE NOTE 3 TO VERIFY

- NOTES:
1. SPECIFICATIONS SHOWN CAN BE CHANGED BY THE MANUFACTURER ONLY.
 2. ALL COMPONENTS OF THE GATE TO BE COATED BLACK.
 3. VERIFY POST DEPTH AND FOOTING DIMENSIONS WITH LOCAL CODES AND SITE CONDITIONS.
 4. CUSTOM DIMENSIONS ARE AVAILABLE UPON REQUEST.
 5. OUTSIDE LOOKING IN, GATE LATCHES IN THE MIDDLE
 6. GATE OPENINGS OVER 16' WILL REQUIRE ADDITIONAL SUPPORT
 7. POST SIZE WILL VARY DEPENDING UPON WIDTH AND HEIGHT OF GATE



PRESSED STEEL SQUARE HINGE
DETAIL - NOT TO SCALE

Merchants Metals
the first name in fence solutions

COPYRIGHT © MERCHANTS METALS
ALL RIGHTS RESERVED

GUARDSMAN GATE - MONROE
DOUBLE DRIVE COMPOUND ARCH 3 TO 4 RAILS
10' TO 40' WIDE OPENING x 3' TO 12' HIGH
(Nom.Dimension)

BY: J.R.
DATE: 16 SEPT 13
REV: D.D.

DWG. NO.
GM CA IND MO 5-20W x 3-12H DD
SCALE:
AS NOTED