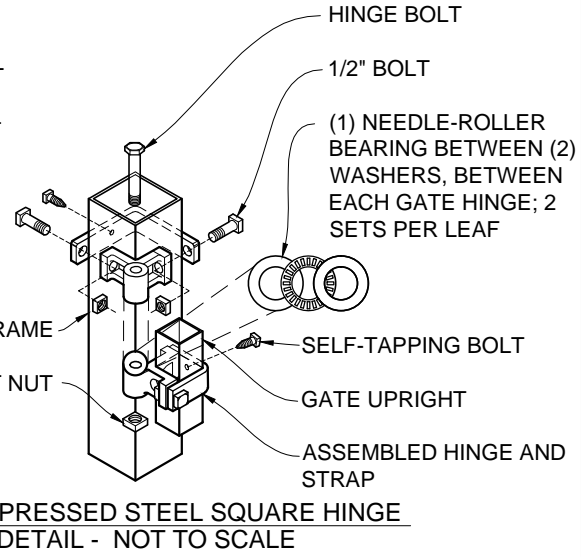
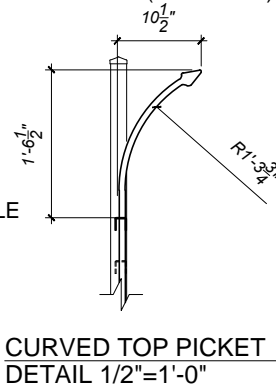


POST DEPTH CHART*	
HEIGHT OF GATE	POST BELOW GRADE
5' OR LESS	2'
6' OR MORE	3'

* SEE NOTE 3 TO VERIFY

ARCH CHART	
WIDTH OF OPENING	HEIGHT OF ARCH
4'-5'	4"-6"
6' - 8'	12"
8'-10'	15"
10' OR MORE	15" - 24"

NOTES:
 1. SPECIFICATIONS SHOWN CAN BE CHANGED BY THE MANUFACTURER ONLY.
 2. ALL COMPONENTS OF THE GATE TO BE COATED BLACK. OTHER COLORS AVAILABLE
 3. VERIFY POST DEPTH AND FOOTING DIMENSIONS WITH LOCAL CODES AND SITE CONDITIONS.
 4. CUSTOM DIMENSIONS ARE AVAILABLE UPON REQUEST.
 5. OUTSIDE LOOKING IN, GATE LATCHES ON _____ (RIGHT AS SHOWN)
 6. GATE OPENINGS OVER 8' WILL REQUIRE ADDITIONAL SUPPORT
 7. POST SIZE WILL VARY DEPENDING UPON WIDTH AND HEIGHT OF GATE



COPYRIGHT © MERCHANTS METALS
 ALL RIGHTS RESERVED

Merchants Metals
the first name in fence solutions

GUARDSMAN GATE - CURVE TOP
 SIMPLE ARCH 2 TO 4 RAILS

3' TO 20' WIDE OPENING x 6' TO 12' HIGH
 (Nom.Dimension)

BY: J.R.
 DATE: 9 SEPT 13
 REV: D.D.

DWG. NO. GM SA COM CT 3-20W x 6-12H
 SCALE: AS NOTED