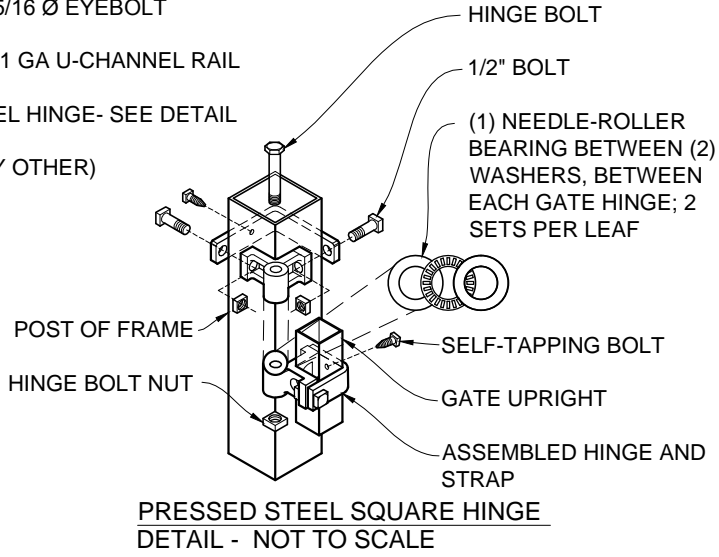


POST DEPTH CHART*	
HEIGHT OF GATE	POST BELOW GRADE
5' OR LESS	2'
6' OR MORE	3'

* SEE NOTE 3 TO VERIFY

ARCH CHART	
WIDTH OF OPENING	HEIGHT OF ARCH
4'-5'	4"-6"
6' - 8'	12"
8'-10'	15"
10' OR MORE	15" - 24"

- PRESSED STEEL SQUARE POST CAP
- 2" PRESSED STEEL SQ CAP
- 1-3/8" X 1-1/2" 11 GA U-CHANNEL RAIL
- INDUSTRIAL DRIVE RIVET
- ALUMINUM RING INSTALLED w/ INDUSTRIAL DRIVE RIVET
- 3/4" SQ. PICKET - 16GA OR 18GA
- FULCRUM LATCH ASSEMBLY w/ STRIKE STRAP
- POST - SEE NOTE 7
- 1/4" Ø STAINLESS STEEL AIRCRAFT CABLE w/ COMPRESSION SLEEVE AND THIMBLE. INSTALLED w/ 5/16 Ø EYEBOLT
- 1-3/8" X 1-1/2" 11 GA U-CHANNEL RAIL
- PRESSED STEEL HINGE- SEE DETAIL
- CONCRETE (BY OTHER)



- NOTES:
1. SPECIFICATIONS SHOWN CAN BE CHANGED BY THE MANUFACTURER ONLY.
 2. ALL COMPONENTS OF THE GATE TO BE COATED BLACK. OTHER COLORS AVAILABLE
 3. VERIFY POST DEPTH AND FOOTING DIMENSIONS WITH LOCAL CODES AND SITE CONDITIONS.
 4. CUSTOM DIMENSIONS ARE AVAILABLE UPON REQUEST.
 5. OUTSIDE LOOKING IN, GATE LATCHES ON _____ (RIGHT AS SHOWN)
 6. GATE OPENINGS OVER 8' WILL REQUIRE ADDITIONAL SUPPORT
 7. POST SIZE WILL VARY DEPENDING UPON WIDTH AND HEIGHT OF GATE

COPYRIGHT © MERCHANTS METALS
ALL RIGHTS RESERVED

Merchants Metals
the first name in fence solutions

GUARDSMAN GATE - LAFAYETTE
SIMPLE ARCH 2 TO 4 RAILS

3' TO 20' WIDE OPENING x 3' TO 12' HIGH
(Nom.Dimension)

BY: J.R.
DATE: 9 SEPT 13
REV: D.D.

DWG. NO.
GM SA COM LF 3-20W x 3-12H
SCALE:
AS NOTED