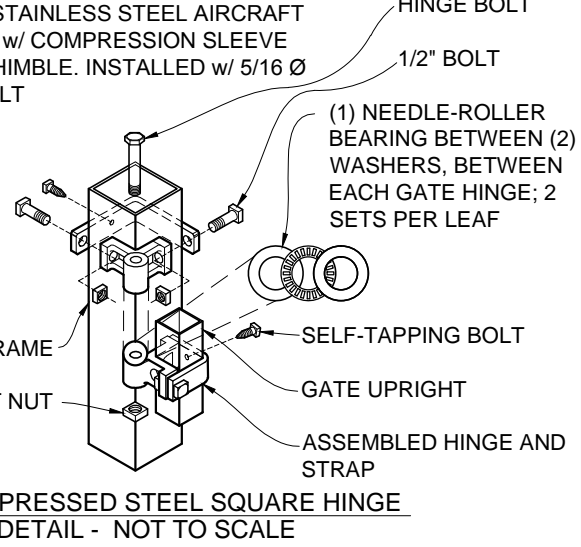
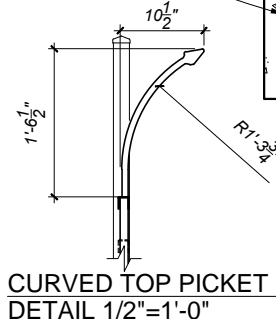


ARCH CHART	
WIDTH OF OPENING	HEIGHT OF ARCH
6' - 8'	12"
8'-10'	15"
10' OR MORE	15" - 24"

POST DEPTH CHART*	
HEIGHT OF GATE	POST BELOW GRADE
5' OR LESS	2'
6' OR MORE	3'

\* SEE NOTE 3 TO VERIFY

- NOTES:
- SPECIFICATIONS SHOWN CAN BE CHANGED BY THE MANUFACTURER ONLY.
  - ALL COMPONENTS OF THE GATE TO BE COATED BLACK.
  - VERIFY POST DEPTH AND FOOTING DIMENSIONS WITH LOCAL CODES AND SITE CONDITIONS.
  - CUSTOM DIMENSIONS ARE AVAILABLE UPON REQUEST
  - OUTSIDE LOOKING IN, GATE LATCHES IN THE MIDDLE
  - GATE OPENINGS OVER 16' WILL REQUIRE ADDITIONAL SUPPORT
  - POST SIZE WILL VARY DEPENDING UPON WIDTH AND HEIGHT OF GATE



**Merchants Metals**  
the first name in fence solutions

COPYRIGHT © MERCHANTS METALS  
ALL RIGHTS RESERVED

**GUARDSMAN GATE - CURVE TOP  
DOUBLE DRIVE SIMPLE ARCH 2 TO 4 RAILS**

6' TO 40' WIDE OPENING x 6' TO 12' HIGH  
(Nom.Dimension)

BY: J.R.  
DATE: 13 SEPT 13  
REV: D.D.

DWG. NO.  
GM SA IND CT 3-20W x 6-12H DD  
SCALE:  
AS NOTED