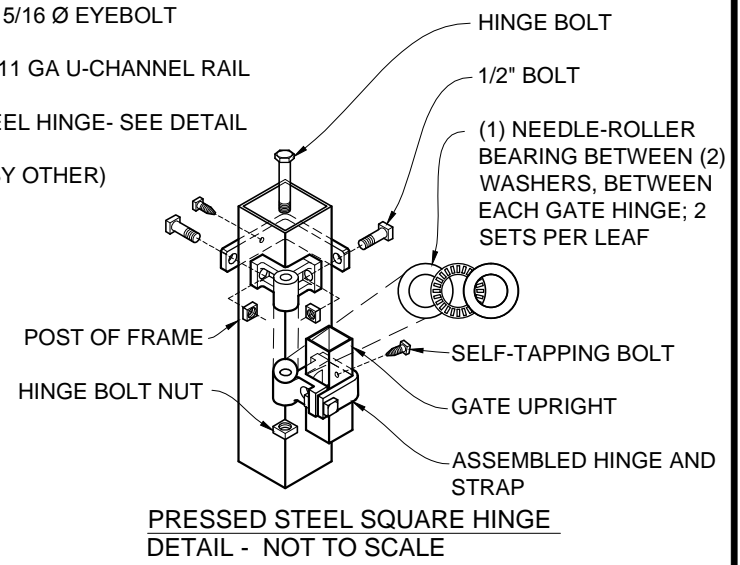


| POST DEPTH CHART* | |
|-------------------|------------------|
| HEIGHT OF GATE | POST BELOW GRADE |
| 5' OR LESS | 2' |
| 6' OR MORE | 3' |


* SEE NOTE 3 TO VERIFY

| ARCH CHART | |
|------------------|----------------|
| WIDTH OF OPENING | HEIGHT OF ARCH |
| 4'-5' | 4"-6" |
| 6' - 8' | 12" |
| 8'-10' | 15" |
| 10' OR MORE | 15" - 24" |

- NOTES:
1. SPECIFICATIONS SHOWN CAN BE CHANGED BY THE MANUFACTURER ONLY.
 2. ALL COMPONENTS OF THE GATE TO BE COATED BLACK. OTHER COLORS AVAILABLE
 3. VERIFY POST DEPTH AND FOOTING DIMENSIONS WITH LOCAL CODES AND SITE CONDITIONS.
 4. CUSTOM DIMENSIONS ARE AVAILABLE UPON REQUEST.
 5. OUTSIDE LOOKING IN, GATE LATCHES ON _____ (RIGHT AS SHOWN)
 6. GATE OPENINGS OVER 8' WILL REQUIRE ADDITIONAL SUPPORT
 7. POST SIZE WILL VARY DEPENDING UPON WIDTH AND HEIGHT OF GATE



PRESSED STEEL SQUARE HINGE
DETAIL - NOT TO SCALE

| | | | |
|---|--|------------------------|-----------------------------------|
|  <p>COPYRIGHT © MERCHANTS METALS ALL RIGHTS RESERVED</p> <p>Merchants Metals[®]</p> <p><i>the first name in fence solutions</i></p> | <p>GUARDSMAN GATE - KENT SIMPLE ARCH 2 TO 4 RAILS</p> | <p>BY: J.R.</p> | <p>DWG. NO.</p> |
| | <p>3' TO 20' WIDE OPENING x 3' TO 12' HIGH (Nom.Dimension)</p> | <p>DATE: 9 SEPT 13</p> | <p>GM SA IND KN 3-20W x 3-12H</p> |
| | | <p>REV: D.D.</p> | <p>SCALE: AS NOTED</p> |