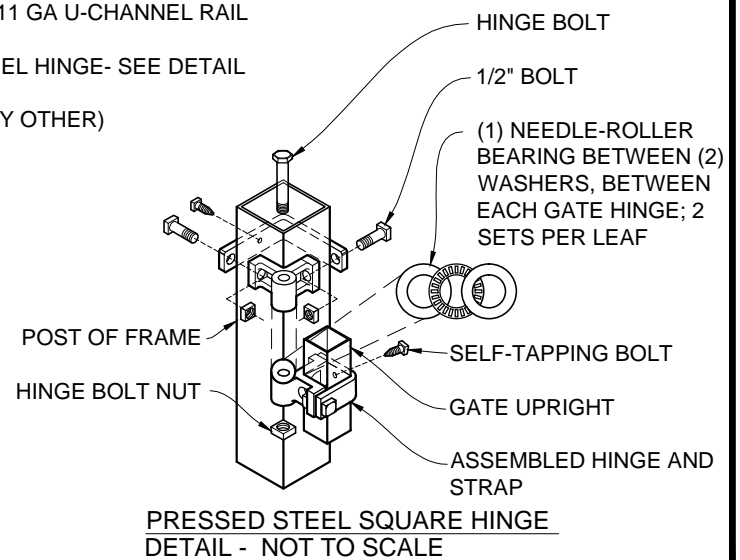



- NOTES:
1. SPECIFICATIONS SHOWN CAN BE CHANGED BY THE MANUFACTURER ONLY.
  2. ALL COMPONENTS OF THE GATE TO BE COATED BLACK. OTHER COLORS AVAILABLE
  3. VERIFY POST DEPTH AND FOOTING DIMENSIONS WITH LOCAL CODES AND SITE CONDITIONS.
  4. CUSTOM DIMENSIONS ARE AVAILABLE UPON REQUEST.
  5. OUTSIDE LOOKING IN, GATE LATCHES ON \_\_\_\_\_ (RIGHT AS SHOWN)
  6. GATE OPENINGS OVER 8' WILL REQUIRE ADDITIONAL SUPPORT
  7. POST SIZE WILL VARY DEPENDING UPON WIDTH AND HEIGHT OF GATE \* SEE NOTE 3

POST DEPTH CHART*	
HEIGHT OF GATE	POST BELOW GRADE
5' OR LESS	2'
6' OR MORE	3'



 <p><b>Merchants Metals</b> the first name in fence solutions</p>	<p>COPYRIGHT © MERCHANTS METALS ALL RIGHTS RESERVED</p>	<p>GUARDSMAN GATE - KENT 2 TO 4 RAILS</p>	<p>BY: J.R.</p>	<p>DWG. NO. GM SG COM KN 3-20W x 3-12H</p>
	<p>3' TO 20' WIDE OPENING x 3' TO 12' HIGH (Nom.Dimension)</p>	<p>DATE: 16 AUG 13</p>	<p>REV: D.D.</p>	<p>SCALE: AS NOTED</p>