

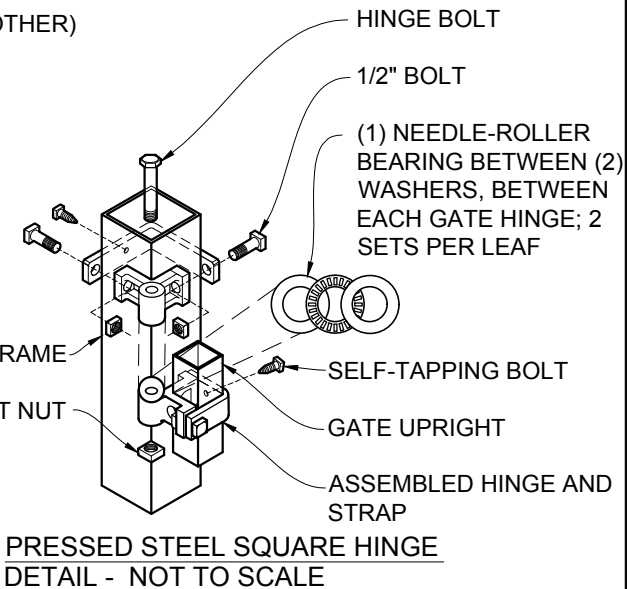
NOTES:

1. SPECIFICATIONS SHOWN CAN BE CHANGED BY THE MANUFACTURER ONLY.
2. ALL COMPONENTS OF THE GATE TO BE COATED BLACK. OTHER COLORS AVAILABLE UPON REQUEST.
3. VERIFY POST DEPTH AND FOOTING DIMENSIONS WITH LOCAL CODES AND SITE CONDITIONS.
4. CUSTOM DIMENSIONS ARE AVAILABLE UPON REQUEST. FOR HIGHER CUSTOM GATES, PLEASE CONTACT THE STATESVILLE PLANT.
5. OUTSIDE LOOKING IN, GATE LATCHES ON _____ (RIGHT AS SHOWN)
6. FOR LARGER CUSTOM GATES, PLEASE CONTACT THE STATESVILLE PLANT. GATE OPENINGS OVER 8' WILL REQUIRE ADDITIONAL SUPPORT.
7. POST SIZE WILL VARY DEPENDING UPON WIDTH AND HEIGHT OF GATE.

GUARDSMAN GATE - KENT
ELEVATION - OUTSIDE LOOKING IN 1/2"=1'-0"

| POST DEPTH CHART* | |
|-------------------|------------------|
| HEIGHT OF GATE | POST BELOW GRADE |
| 5' OR LESS | 2' |
| 6' OR MORE | 3' |

* SEE NOTE 3



**PRESSED STEEL SQUARE HINGE
DETAIL - NOT TO SCALE**