

7' OPENING AS SHOWN

AVAILABLE FROM 4' TO 14' OPENING; SEE NOTE 6

1 1/2"

3 7/8" TYP.

3 1/2"

6' AS SHOWN  
AVAILABLE IN: 3', 4', 5', 6', 7' & 8'; SEE NOTE 4  
RAIL TO RAIL  
RAIL TO RAIL  
2"  
4"  
SEE POST DEPTH CHART

3 7/8"

3 7/8"

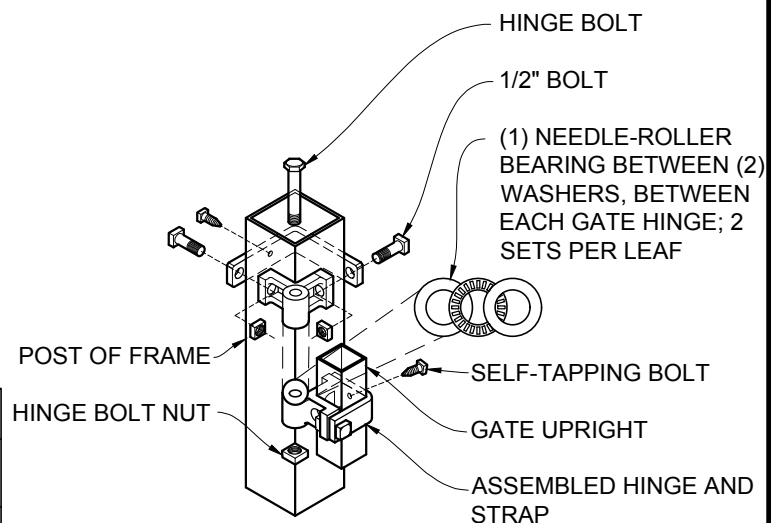
GUARDSMAN GATE - MONROE  
ELEVATION - OUTSIDE LOOKING IN 1/2"=1'-0"

- PRESSED STEEL SQ POST CAP
- 2" PRESSED STEEL SQ CAP
- 1-3/8" X 1-1/2" 11 GA U-CHANNEL RAIL
- INDUSTRIAL DRIVE RIVET
- ALUMINUM RING INSTALLED w/ INDUSTRIAL DRIVE RIVET
- 1" SQ. PICKET - 14GA, 16GA, OR 18GA
- FULCRUM LATCH ASSEMBLY w/ STRIKE STRAP
- POST - SEE NOTE 7
- 1/4" Ø STAINLESS STEEL AIRCRAFT CABLE w/ COMPRESSION SLEEVE AND THIMBLE. INSTALLED w/ 5/16 Ø EYEBOLT
- PRESSED STEEL HINGE- SEE DETAIL
- CONCRETE (BY OTHER)

- NOTES:
1. SPECIFICATIONS SHOWN CAN BE CHANGED BY THE MANUFACTURER ONLY.
  2. ALL COMPONENTS OF THE GATE TO BE COATED BLACK. OTHER COLORS AVAILABLE UPON REQUEST.
  3. VERIFY POST DEPTH AND FOOTING DIMENSIONS WITH LOCAL CODES AND SITE CONDITIONS.
  4. CUSTOM DIMENSIONS ARE AVAILABLE UPON REQUEST. FOR HIGHER CUSTOM GATES, PLEASE CONTACT THE STATESVILLE PLANT.
  5. OUTSIDE LOOKING IN, GATE LATCHES ON \_\_\_\_\_ (RIGHT AS SHOWN)
  6. FOR LARGER CUSTOM GATES, PLEASE CONTACT THE STATESVILLE PLANT. GATE OPENINGS OVER 8' WILL REQUIRE ADDITIONAL SUPPORT.
  7. POST SIZE WILL VARY DEPENDING UPON WIDTH AND HEIGHT OF GATE.

POST DEPTH CHART*	
HEIGHT OF GATE	POST BELOW GRADE
5' OR LESS	2'
6' OR MORE	3'

\* SEE NOTE 3



PRESSED STEEL SQUARE HINGE  
DETAIL - NOT TO SCALE



COPYRIGHT © MERCHANTS METALS  
ALL RIGHTS RESERVED

**Merchants Metals**<sup>®</sup>  
*the first name in fence solutions*

GUARDSMAN GATE - MONROE  
2 TO 4 RAILS

---

4' TO 14' WIDE OPENING x 3' TO 8' HIGH  
(Nom.Dimension)

BY: J.R.  
DATE: 29 OCT 20  
REV: D.C.

DWG. NO.  
GM SG IND MO 4-14W x 3-8H  
SCALE:  
AS NOTED