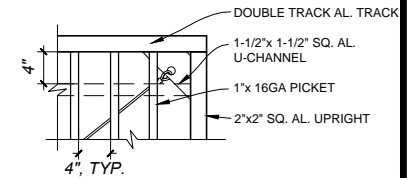
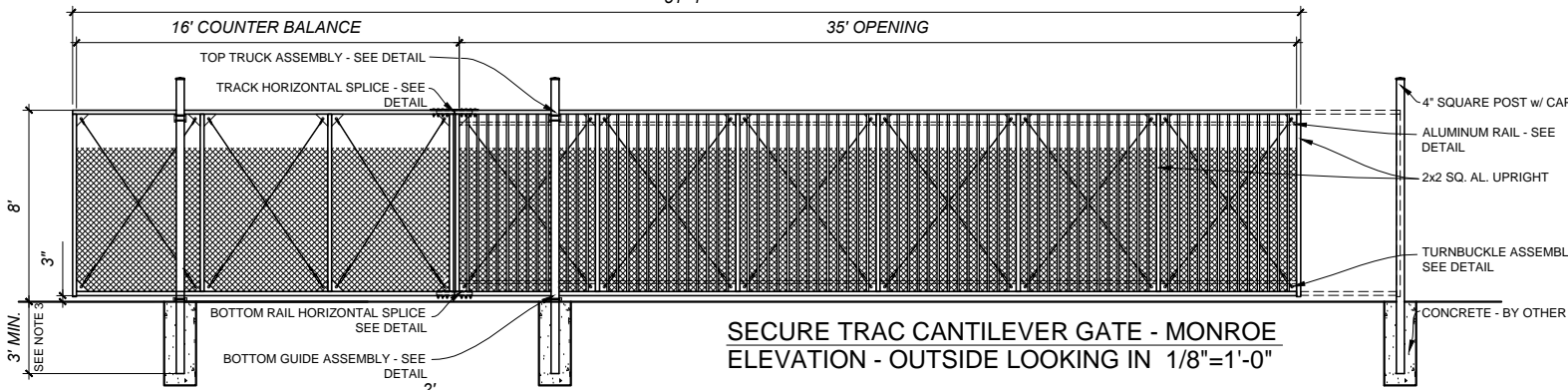


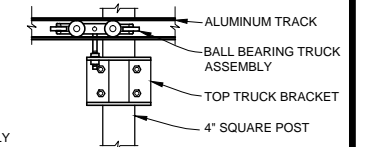
**SECURE TRAC CANTILEVER GATE - MONROE**  
PLAN 1/8"=1'-0"



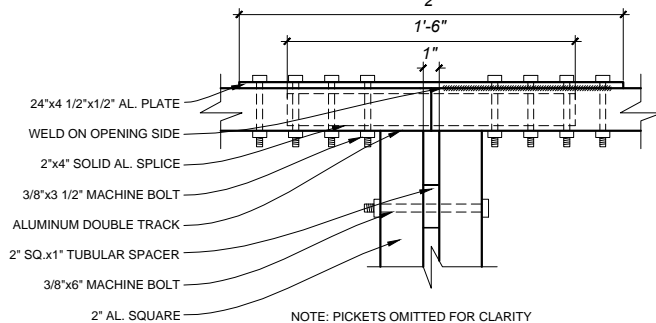
**RAIL**  
DETAIL 1/2"=1'-0"



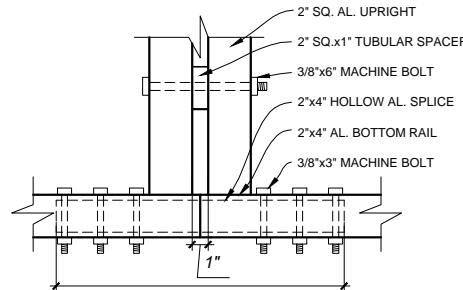
**SECURE TRAC CANTILEVER GATE - MONROE**  
ELEVATION - OUTSIDE LOOKING IN 1/8"=1'-0"



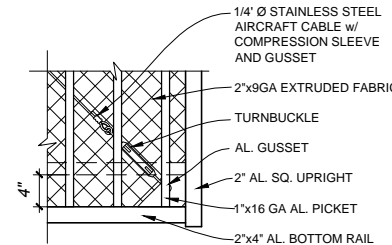
**TOP TRUCK ASSEMBLY**  
DETAIL 1/2"=1'-0"



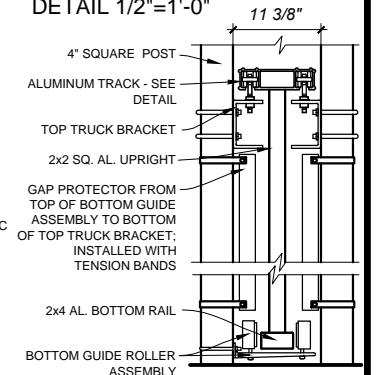
NOTE: PICKETS OMITTED FOR CLARITY  
**TRACK HORIZONTAL SPLICE**  
DETAIL 1"=1'-0"



NOTE: PICKETS & FABRIC OMITTED FOR CLARITY  
**BOTTOM RAIL HORIZONTAL SPLICE**  
DETAIL 1"=1'-0"



**TURNBUCKLE ASSEMBLY**  
DETAIL 1/2"=1'-0"



**BOTTOM GUIDE ASSEMBLY**  
DETAIL 1/2"=1'-0"

**NOTES:**

- SPECIFICATIONS SHOWN CAN BE CHANGED BY THE MANUFACTURER ONLY.
- ALL COMPONENTS OF THE GATE TO BE COATED BLACK. OTHER COLORS AVAILABLE.
- VERIFY POST DEPTH AND FOOTING DIMENSIONS WITH LOCAL CODES AND SITE CONDITIONS.
- CUSTOM DIMENSIONS ARE AVAILABLE UPON REQUEST.
- OUTSIDE LOOKING IN, GATE LATCHES ON \_\_\_\_\_ (RIGHT AS SHOWN).
- GATE OPENINGS OVER 40' WILL REQUIRE ADDITIONAL SUPPORT.
- OPENINGS OVER 30' REQUIRE A FIELD SPLICE AND DOUBLE TRACK (AS SHOWN). GATE OPENINGS 30' OR LESS DO NOT REQUIRE A FIELD SPLICE AND ONLY REQUIRE A SINGLE ALUMINUM TRACK AND 2 SUPPORT POSTS.

OPENING	COUNTERBALANCE
INSIDE FACE OF POST TO INSIDE FACE OF POST	OUTSIDE FACE OF POST TO OUTSIDE FACE OF POST
10'-0"	6'-6"
11'-0" - 14'-0"	7'-6"
15'-0" - 22'-0"	10'-0"
23'-0" - 30'-0"	12'-0"
31'-0" - 40'-0"	16'-0"
41'-0" - 50'-0"	25'-0"
ADD 4" TO COUNTER BALANCE AND OPENING FOR OVERALL LENGTH OF GATE.	



**SECURE TRAC CANTILEVER SLIDE GATE**  
MONROE - 2 - 4 RAILS

10' TO 50' WIDE OPENING x 6' TO 8' HIGH  
(Nom.Dimension)

BY: J.R.  
DATE: 20 SEPT 13  
REV: D.D

DWG. NO. ST CG MO 10-50WX6-8H  
SCALE: AS NOTED