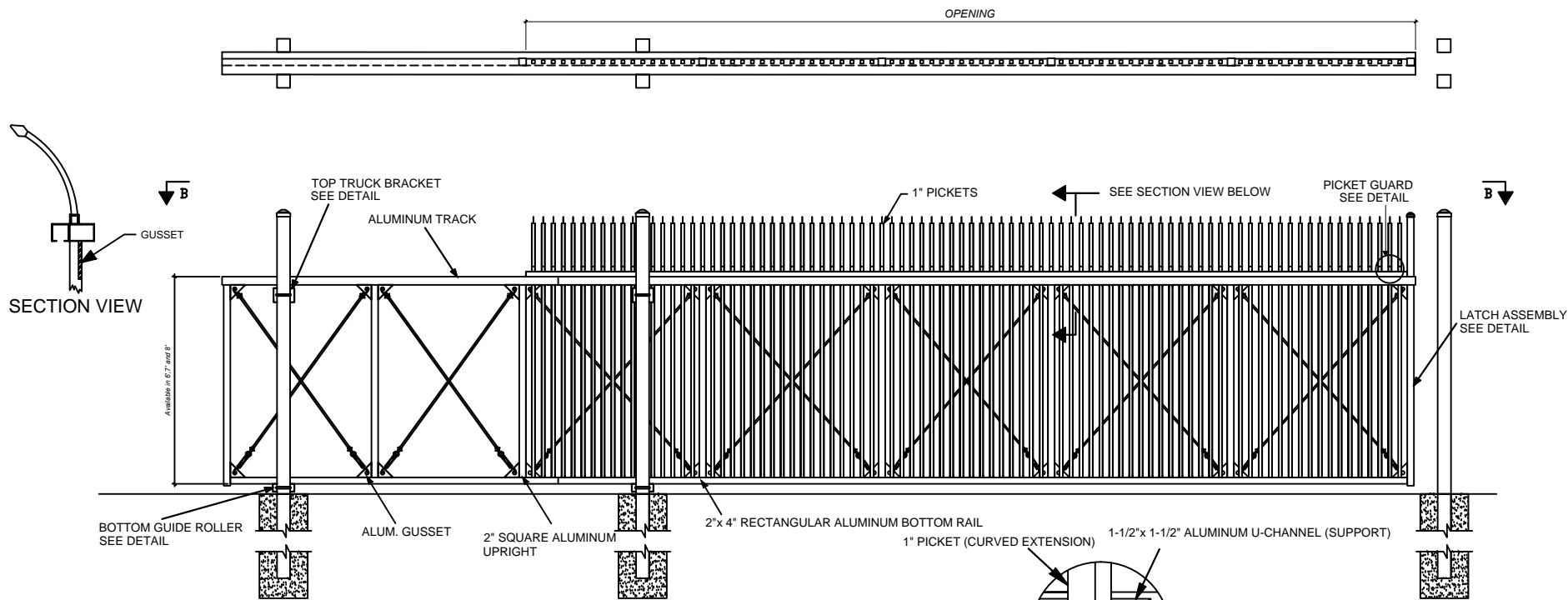
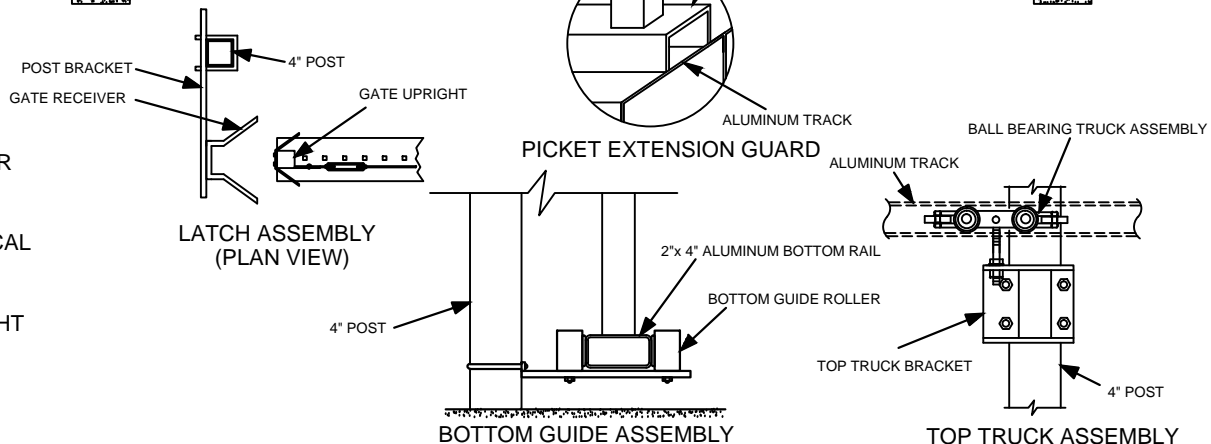


DETAIL B
GATE PLAN VIEW



NOTES:

1. DESIGN AND SPECIFICATIONS SUBJECT TO CHANGE BY MANUFACTURER.
2. GATES WITH 5 INCHES O.C. DOESN'T COMPLY WITH ASTM F2200. CUSTOMER WILL ASSUME THE RESPONSIBILITY FOR THIS ISSUE.
3. ALL GATE COMPONENTS TO BE COATED IN BLACK.
4. VERIFY POST DEPTH AND FOOTING DIMENSIONS WITH LOCAL CODES AND SITE CONDITIONS.
5. CUSTOM DIMENSIONS ARE AVAILABLE UPON REQUEST.
6. POST SIZE WILL VARY DEPENDING UPON WIDTH AND HEIGHT OF GATE.
7. GATE FITTINGS AND HARDWARE SOLD SEPARATELY.
8. GATES LARGER THAN 25' NET LENGTH WILL BE BUILT AND SHIPPED IN 2 PCS (SPLICED).



COPYRIGHT © MERCHANTS METALS
ALL RIGHTS RESERVED

Merchants Metals®

the first name in fence solutions

SECURE TRACK CANTILEVER GATE- CURVED TOP
2 TO 3 RAILS

6' TO 8' HIGH x 10' TO 25' WIDE OPENING
(Nom.Dimension)

BY: MSG

DATE: 5 AUGUST 13

REV: ---

DWG: SWP.CT.1.STC

ST CG I16 CT 2R-3R 6'-8"HX 10'-25"W

SCALE:

AS NOTED