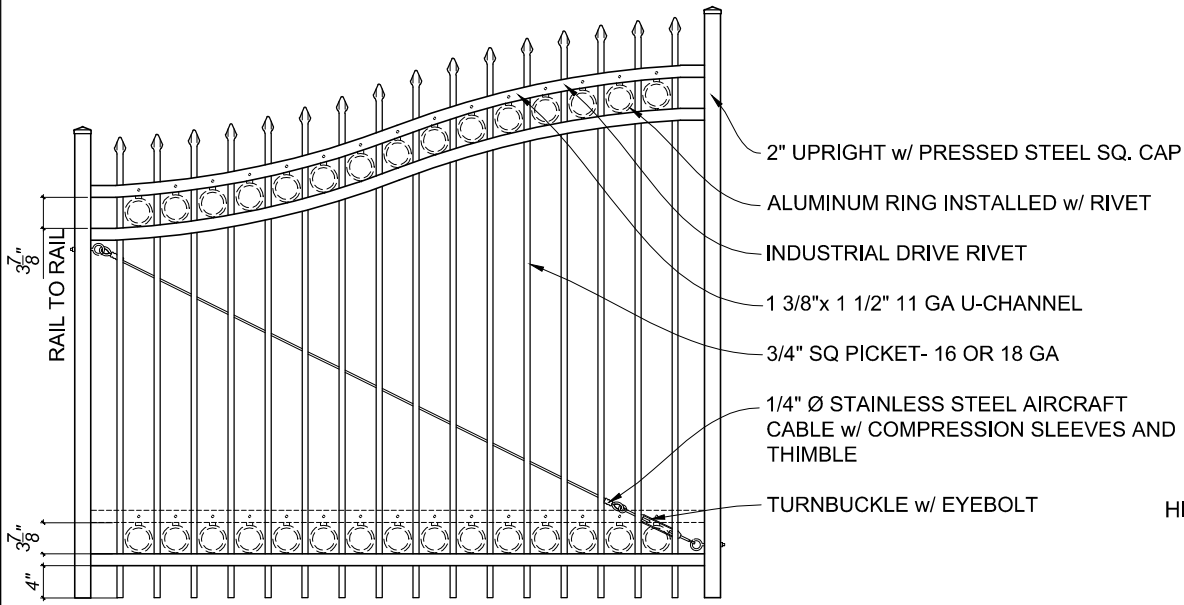


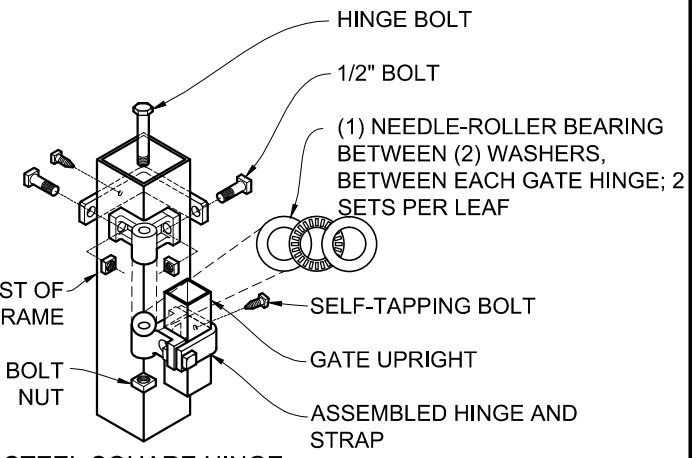
ARCH CHART	
WIDTH OF OPENING	HEIGHT OF ARCH
10'-14'	12"
14' AND UP	12" or 15"

- NOTES:
1. SPECIFICATIONS SHOWN CAN BE CHANGED BY THE MANUFACTURER ONLY.
 2. ALL COMPONENTS OF THE GATE TO BE COATED BLACK.
 3. VERIFY POST DEPTH AND FOOTING DIMENSIONS WITH LOCAL CODES AND SITE CONDITIONS.
 4. CUSTOM DIMENSIONS ARE AVAILABLE UPON REQUEST.
 5. OUTSIDE LOOKING IN, GATE LATCHES IN THE MIDDLE
 6. GATE OPENINGS OVER 16' WILL REQUIRE ADDITIONAL SUPPORT
 7. POST SIZE WILL VARY DEPENDING UPON WIDTH AND HEIGHT OF GATE

TANGO RAIL GATE - LAFAYETTE
ELEVATION - OUTSIDE LOOKING IN 1/4"=1'-0"



TANGO RAIL GATE - LAFAYETTE
PANEL A ELEVATION 1/2"=1'-0"



STEEL SQUARE HINGE
DETAIL - NOT TO SCALE

Merchants Metals
the first name in fence solutions

COPYRIGHT © MERCHANTS METALS
ALL RIGHTS RESERVED

TANGO RAIL GATE - LAFAYETTE
DOUBLE DRIVE COMPOUND ARCH 3 TO 4 RAILS

10' TO 40' WIDE OPENING x 3' TO 12' HIGH
(Nom.Dimension)

BY: J.R.
DATE: 8.18.14*
REV: D.D.*

DWG. NO. TR CA COM LF 5-20W x 3-12H DD
SCALE: AS NOTED