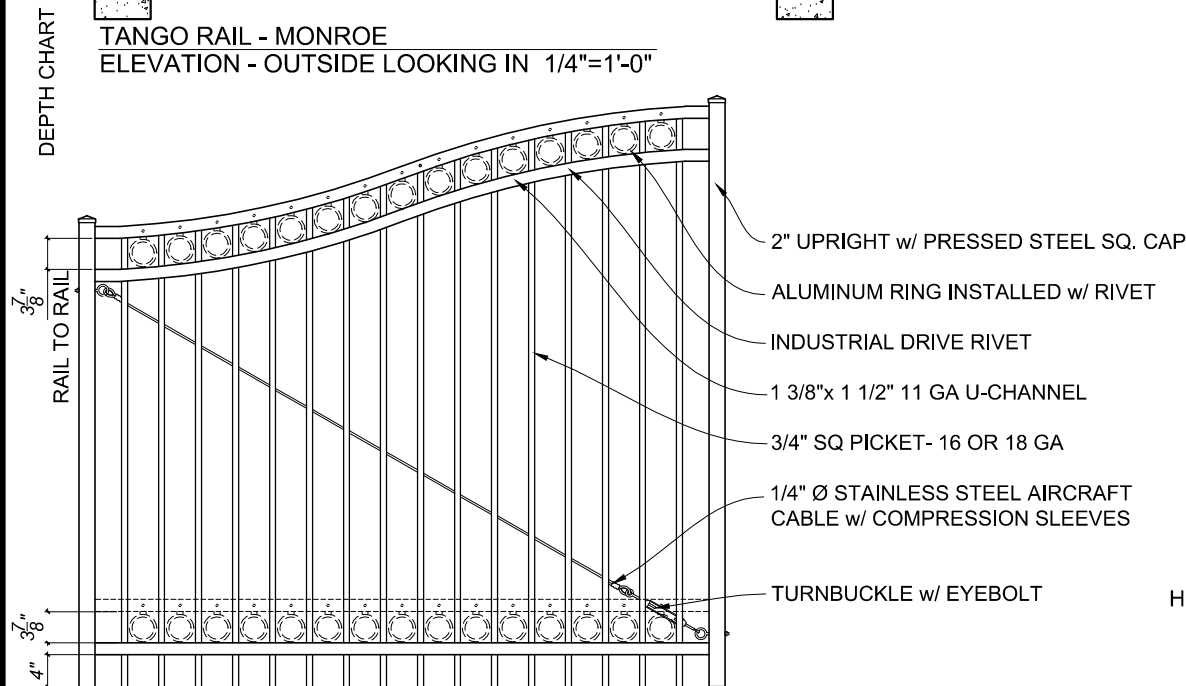


ARCH CHART	
WIDTH OF OPENING	HEIGHT OF ARCH
10'-14'	12"
14' AND UP	12" or 15"

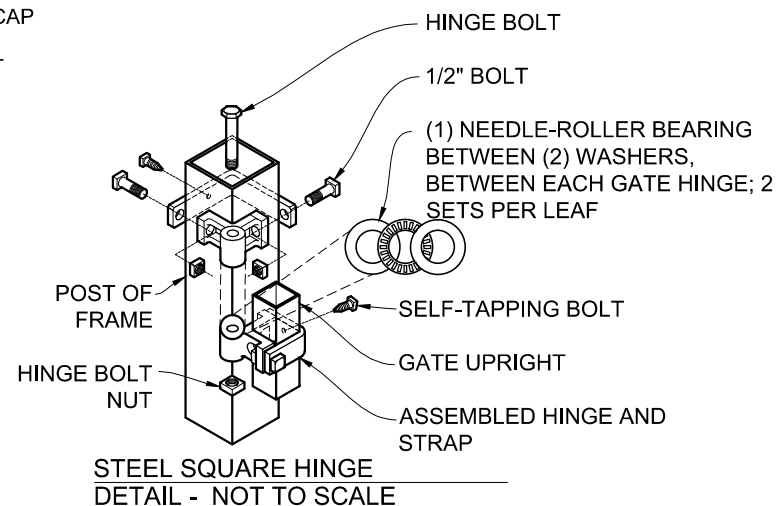
NOTES:

1. SPECIFICATIONS SHOWN CAN BE CHANGED BY THE MANUFACTURER ONLY.
2. ALL COMPONENTS OF THE GATE TO BE COATED BLACK.
3. VERIFY POST DEPTH AND FOOTING DIMENSIONS WITH LOCAL CODES AND SITE CONDITIONS.
4. CUSTOM DIMENSIONS ARE AVAILABLE UPON REQUEST.
5. OUTSIDE LOOKING IN, GATE LATCHES IN THE MIDDLE
6. GATE OPENINGS OVER 16' WILL REQUIRE ADDITIONAL SUPPORT
7. POST SIZE WILL VARY DEPENDING UPON WIDTH AND HEIGHT OF GATE

TANGO RAIL - MONROE
ELEVATION - OUTSIDE LOOKING IN 1/4"=1'-0"



TANGO RAIL - MONROE
PANEL A ELEVATION 1/2"=1'-0"



STEEL SQUARE HINGE
DETAIL - NOT TO SCALE



COPYRIGHT © MERCHANTS METALS
ALL RIGHTS RESERVED

Merchants Metals®

the first name in fence solutions

TANGO RAIL GATE - MONROE
DOUBLE DRIVE COMPOUND ARCH 3 TO 4 RAILS

10' TO 40' WIDE OPENING x 3' TO 12' HIGH
(Nom.Dimension)

BY: J.R.

DATE: 8.18.14*

REV: D.D.*

DWG. NO.

TR CA COM MO 5-20W x 3-12H DD

SCALE:

AS NOTED