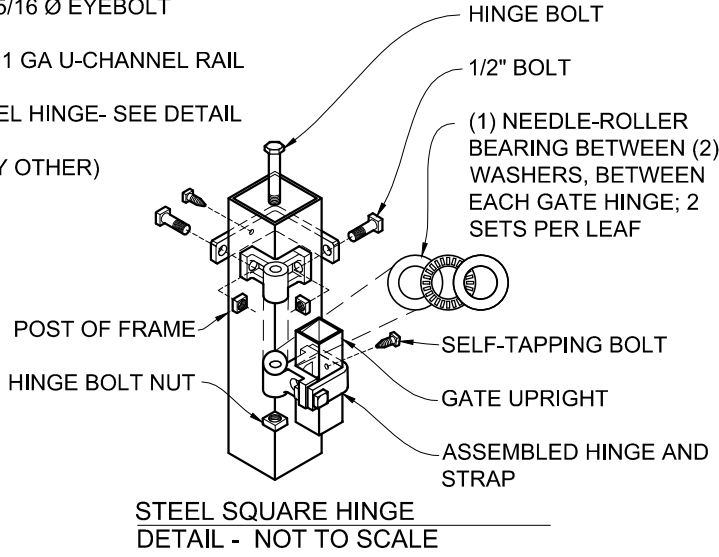


ARCH CHART	
WIDTH OF OPENING	HEIGHT OF ARCH
4'-5'	4"-6"
6' - 8'	12"
8'-10'	15"
10' OR MORE	15" - 24"

TANGO RAIL GATE - KENT
ELEVATION - OUTSIDE LOOKING IN 1/2"=1'-0"

- NOTES:
- SPECIFICATIONS SHOWN CAN BE CHANGED BY THE MANUFACTURER ONLY.
 - ALL COMPONENTS OF THE GATE TO BE COATED BLACK. OTHER COLORS AVAILABLE
 - VERIFY POST DEPTH AND FOOTING DIMENSIONS WITH LOCAL CODES AND SITE CONDITIONS.
 - CUSTOM DIMENSIONS ARE AVAILABLE UPON REQUEST.
 - OUTSIDE LOOKING IN, GATE LATCHES ON _____ (RIGHT AS SHOWN)
 - GATE OPENINGS OVER 8' WILL REQUIRE ADDITIONAL SUPPORT
 - POST SIZE WILL VARY DEPENDING UPON WIDTH AND HEIGHT OF GATE



COPYRIGHT © MERCHANTS METALS
ALL RIGHTS RESERVED

Merchants Metals
the first name in fence solutions

TANGO RAIL GATE - KENT
SIMPLE ARCH 2 TO 4 RAILS

3' TO 20' WIDE OPENING x 3' TO 12' HIGH
(Nom.Dimension)

BY: J.R.
DATE: 8.18.14*
REV: D.D.*

DWG. NO. TR SA COM KN 3-20W x 3-12H
SCALE: AS NOTED