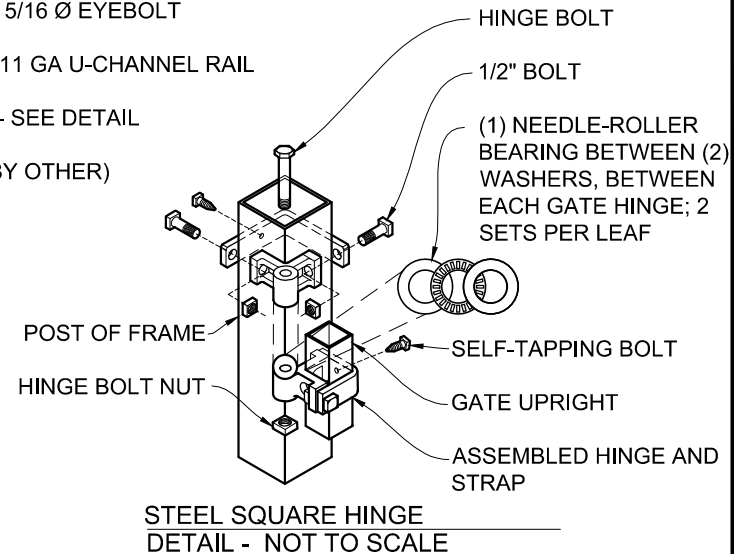


| ARCH CHART | |
|------------------|----------------|
| WIDTH OF OPENING | HEIGHT OF ARCH |
| 4'-5' | 4\"-6" |
| 6' - 8' | 12" |
| 8'-10' | 15" |
| 10' OR MORE | 15\" - 24" |

TANGO RAIL GATE - MONROE
ELEVATION - OUTSIDE LOOKING IN 1/2"=1'-0"

- NOTES:
- SPECIFICATIONS SHOWN CAN BE CHANGED BY THE MANUFACTURER ONLY.
 - ALL COMPONENTS OF THE GATE TO BE COATED BLACK. OTHER COLORS AVAILABLE
 - VERIFY POST DEPTH AND FOOTING DIMENSIONS WITH LOCAL CODES AND SITE CONDITIONS.
 - CUSTOM DIMENSIONS ARE AVAILABLE UPON REQUEST.
 - OUTSIDE LOOKING IN, GATE LATCHES ON _____ (RIGHT AS SHOWN)
 - GATE OPENINGS OVER 8' WILL REQUIRE ADDITIONAL SUPPORT
 - POST SIZE WILL VARY DEPENDING UPON WIDTH AND HEIGHT OF GATE



STEEL SQUARE HINGE
DETAIL - NOT TO SCALE



COPYRIGHT © MERCHANTS METALS
ALL RIGHTS RESERVED

Merchants Metals
the first name in fence solutions

TANGO RAIL GATE - MONROE
SIMPLE ARCH 2 TO 4 RAILS

3' TO 20' WIDE OPENING x 3' TO 12' HIGH
(Nom.Dimension)

BY: J.R.

DATE: 8.18.14*

REV: D.D.*

DWG. NO.

TR SA COM MO 3-20W x 3-12H

SCALE:

AS NOTED