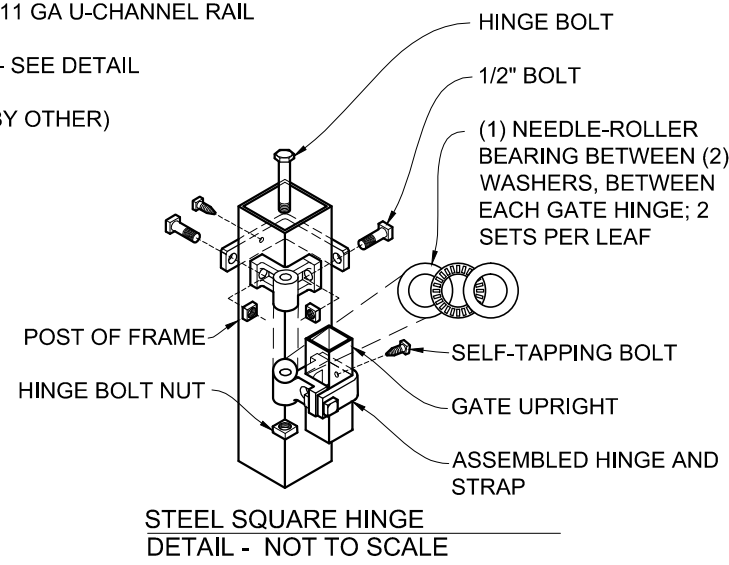


TANGO RAIL GATE - KENT
ELEVATION - OUTSIDE LOOKING IN 1/2"=1'-0"

- NOTES:
1. SPECIFICATIONS SHOWN CAN BE CHANGED BY THE MANUFACTURER ONLY.
 2. ALL COMPONENTS OF THE GATE TO BE COATED BLACK. OTHER COLORS AVAILABLE
 3. VERIFY POST DEPTH AND FOOTING DIMENSIONS WITH LOCAL CODES AND SITE CONDITIONS.
 4. CUSTOM DIMENSIONS ARE AVAILABLE UPON REQUEST.
 5. OUTSIDE LOOKING IN, GATE LATCHES ON _____ (RIGHT AS SHOWN)
 6. GATE OPENINGS OVER 8' WILL REQUIRE ADDITIONAL SUPPORT
 7. POST SIZE WILL VARY DEPENDING UPON WIDTH AND HEIGHT OF GATE



COPYRIGHT © MERCHANTS METALS
ALL RIGHTS RESERVED

Merchants Metals
the first name in fence solutions

TANGO RAIL GATE - KENT
2 TO 4 RAILS

3' TO 20' WIDE OPENING x 3' TO 12' HIGH
(Nom.Dimension)

BY: J.R.
DATE: 8.18.14*
REV: D.D.*

DWG. NO. TR SG COM KN 3-20W x 3-12H
SCALE: AS NOTED