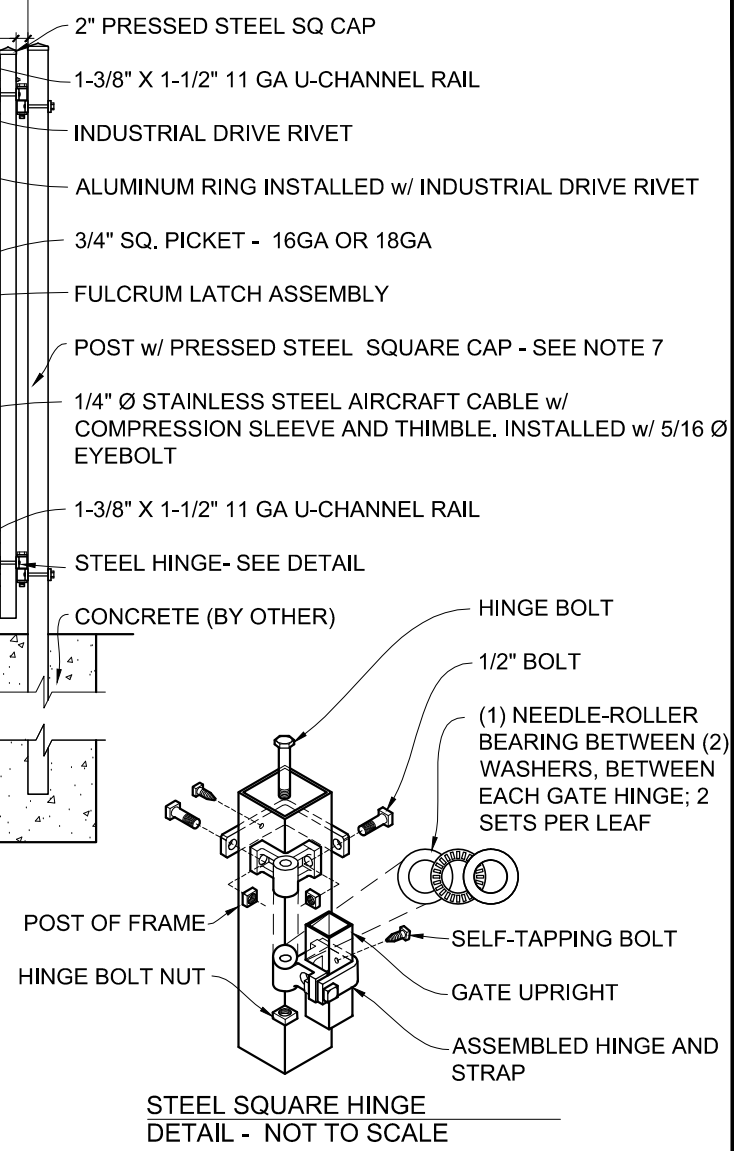


TANGO RAIL GATE - MONROE
ELEVATION - OUTSIDE LOOKING IN 1/2"=1'-0"

- NOTES:
1. SPECIFICATIONS SHOWN CAN BE CHANGED BY THE MANUFACTURER ONLY.
 2. ALL COMPONENTS OF THE GATE TO BE COATED BLACK.
 3. VERIFY POST DEPTH AND FOOTING DIMENSIONS WITH LOCAL CODES AND SITE CONDITIONS.
 4. CUSTOM DIMENSIONS ARE AVAILABLE UPON REQUEST
 5. OUTSIDE LOOKING IN, GATE LATCHES IN THE MIDDLE
 6. GATE OPENINGS OVER 8' WILL REQUIRE ADDITIONAL SUPPORT
 7. POST SIZE WILL VARY DEPENDING UPON WIDTH AND HEIGHT OF GATE



STEEL SQUARE HINGE
DETAIL - NOT TO SCALE

Merchants Metals
the first name in fence solutions

TANGO RAIL GATE - MONROE
DOUBLE DRIVE 2 TO 4 RAILS
6' TO 40' WIDE OPENING x 3' TO 12' HIGH
(Nom.Dimension)

BY: J.R.
DATE: 8.18.14*
REV: D.D.*

DWG. NO.
TR SG COM MO 3-20W x 3-12H DD
SCALE:
AS NOTED