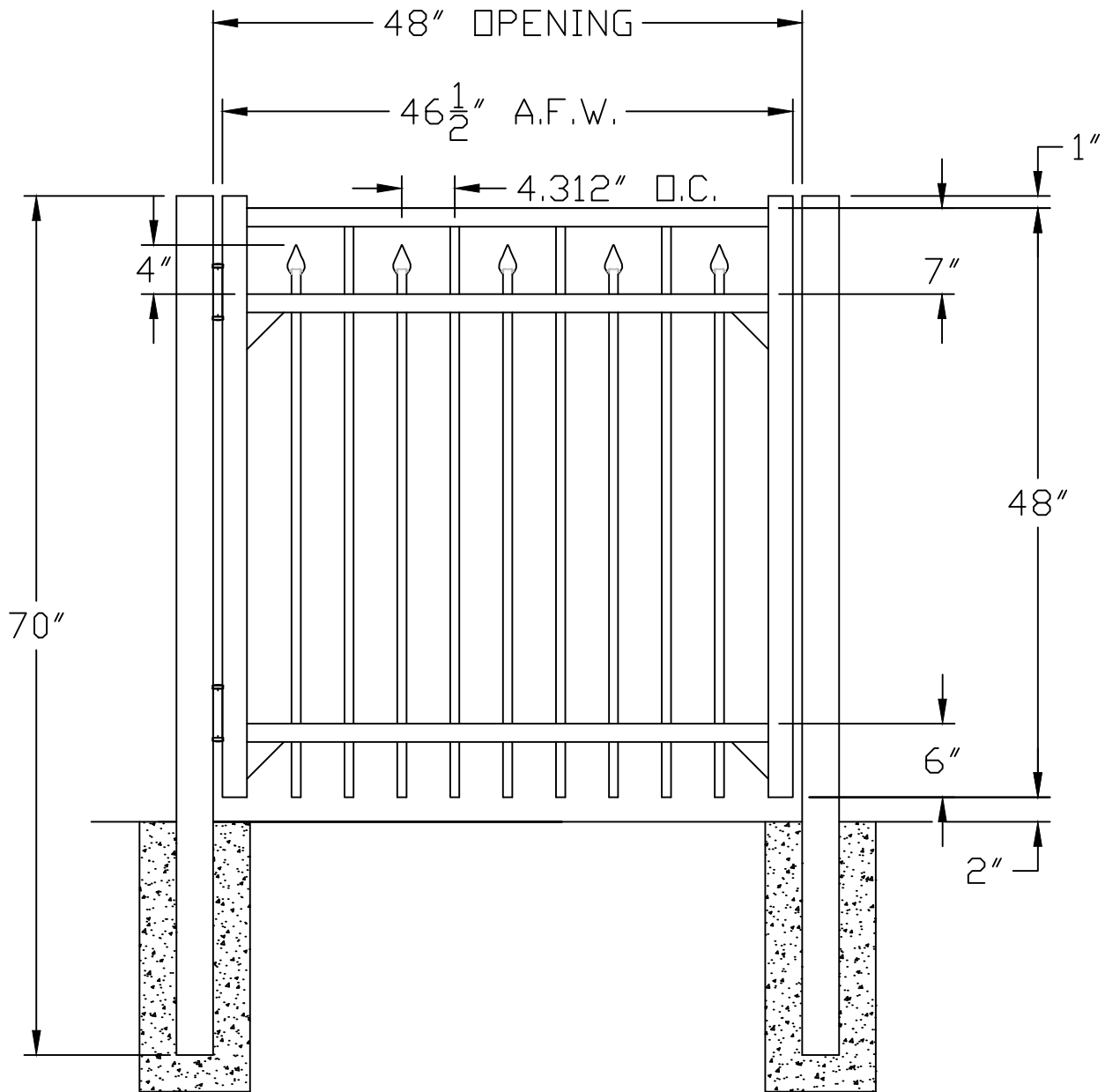


FLAT TOP W/ SPEARS SMOOTH RAIL $\frac{3}{4}$ " PICKET



NOTES:

1. DESIGN AND SPECIFICATIONS SUBJECT TO CHANGE BY MANUFACTURE.
2. POST AND FOOTINGS AS REQUIRED BY SITE CONDITIONS AND CODES.

www.MerchantsMetals.com

Tech-Info@MerchantsMetals.com

888-260-1600

Drawing: VSP.C.C.SG



Merchants Metals®

the first name in fence solutions

SIZE A	FILE: VINTAGE SQUARE MMI	PART NAME: CORONET FLAT TOP W/ SPEARS 3-RAIL	REV A
SCALE: NOT TO SCALE	DRAWN BY: SHAWN	DATE: 09/16/13	SHEET: N/A