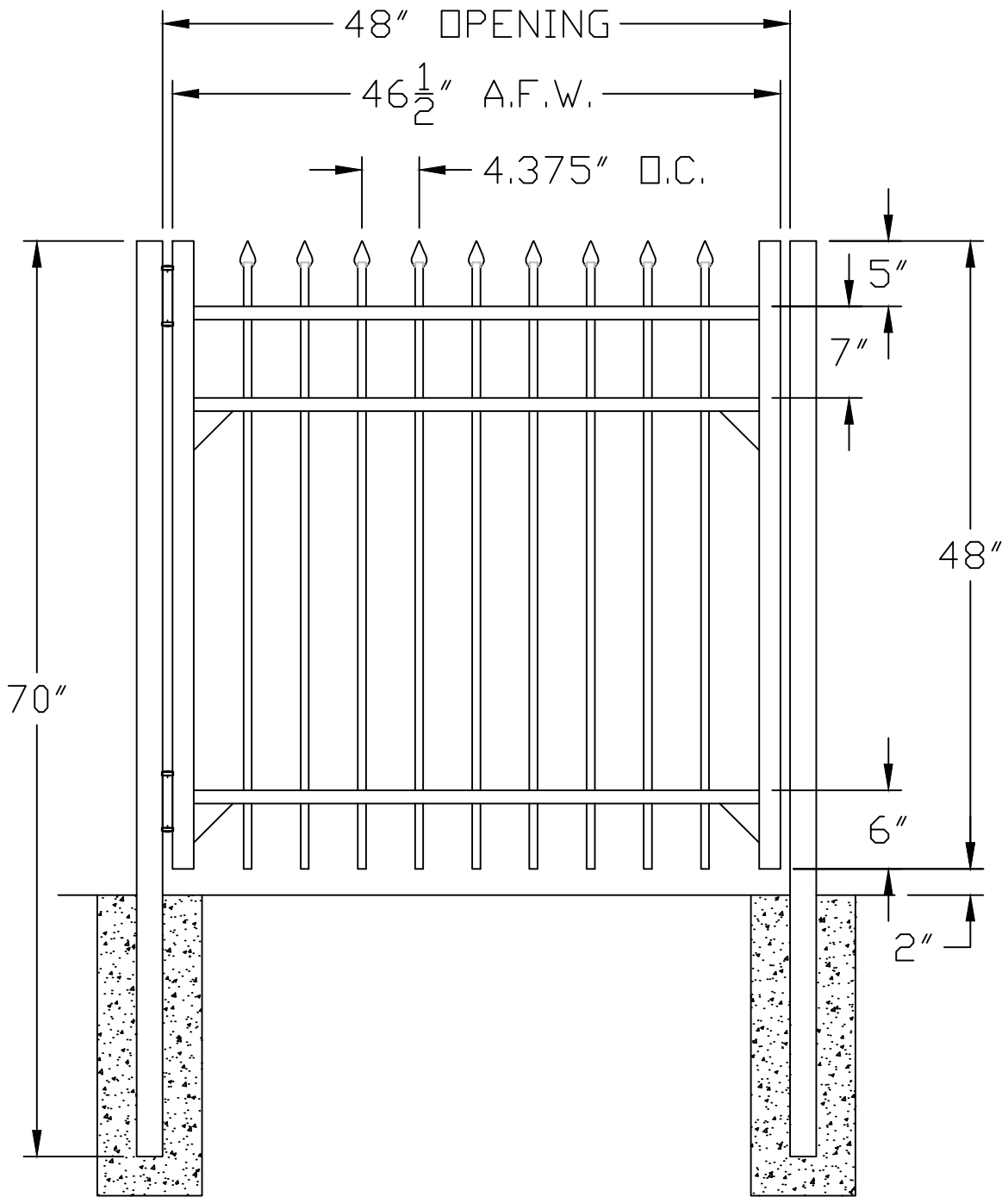


# SPEAR TOP 5/8" PICKETS



**NOTES:**

- DESIGN AND SPECIFICATIONS SUBJECT TO CHANGE BY MANUFACTURE.
- POST AND FOOTINGS AS REQUIRED BY SITE CONDITIONS AND CODES.

www.MerchantsMetals.com

Tech-Info@MerchantsMetals.com

888-260-1600

Drawing: VSP.L.R.SG



**Merchants Metals**®

*the first name in fence solutions*

SIZE <b>A</b>	FILE: VINTAGE SQUARE PREMIUM MMI	PART NAME: LAFAYETTE SPEAR PICKET 3-RAIL	REV <b>A</b>
SCALE: NOT TO SCALE	DRAWN BY: SHAWN	DATE: 08/23/13	SHEET: N/A