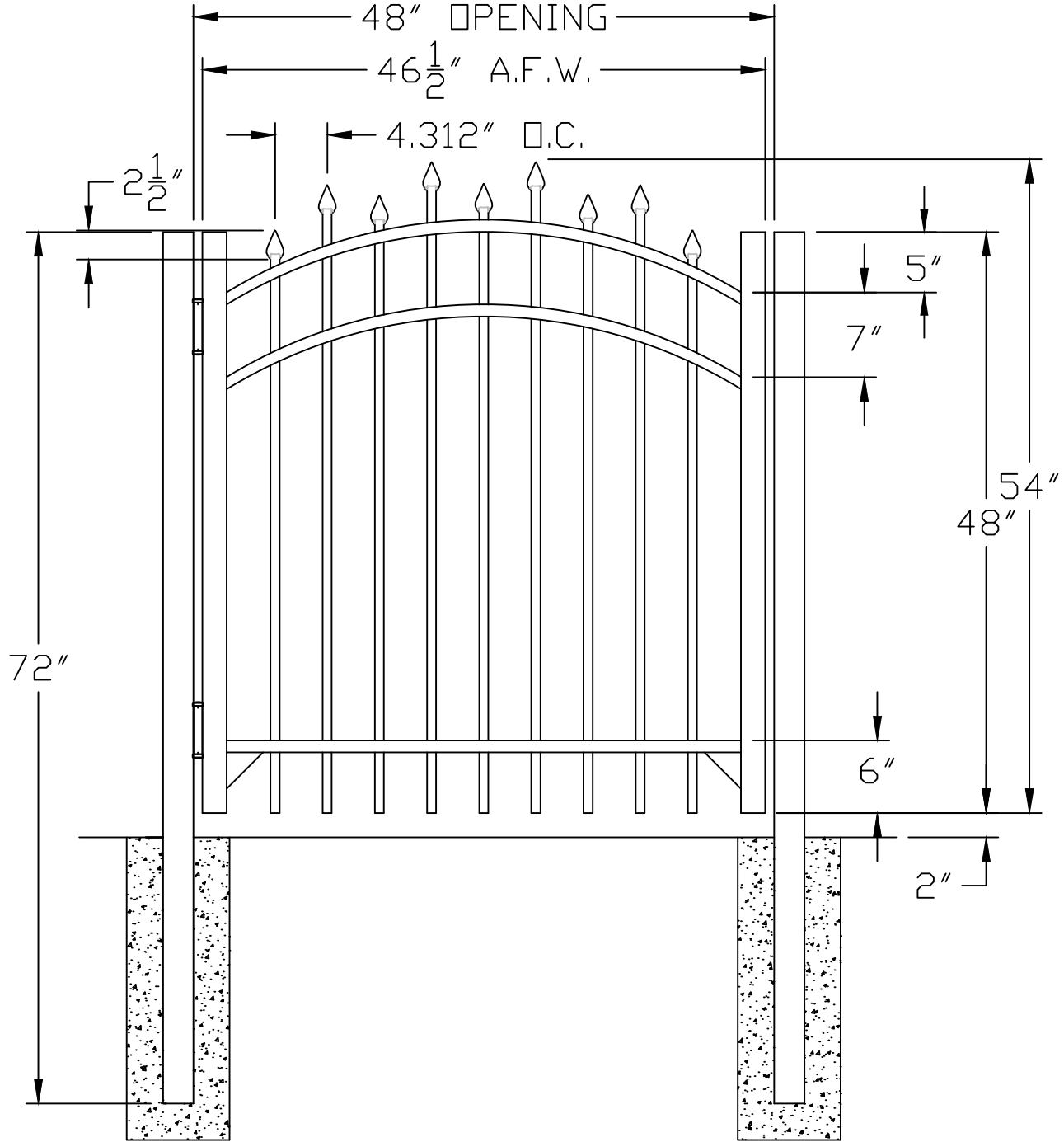


MERCHANTS METALS VINTAGE SQUARE SPEAR TOP SMOOTH RAIL $\frac{3}{4}$ " PICKET



NOTES:

- DESIGN AND SPECIFICATIONS SUBJECT TO CHANGE BY MANUFACTURE.
- POST AND FOOTINGS AS REQUIRED BY SITE CONDITIONS AND CODES.

www.MerchantsMetals.com

Tech-Info@MerchantsMetals.com

888-260-1600

Drawing: VSP.R.C.SGA



Merchants Metals®
the first name in fence solutions

SIZE A	FILE: VINTAGE SQUARE MMI	PART NAME: REGENCY SPEAR TOP 3-RAIL	REV A
SCALE: NOT TO SCALE	DRAWN BY: SHAWN	DATE: 05/07/14	SHEET: N/A