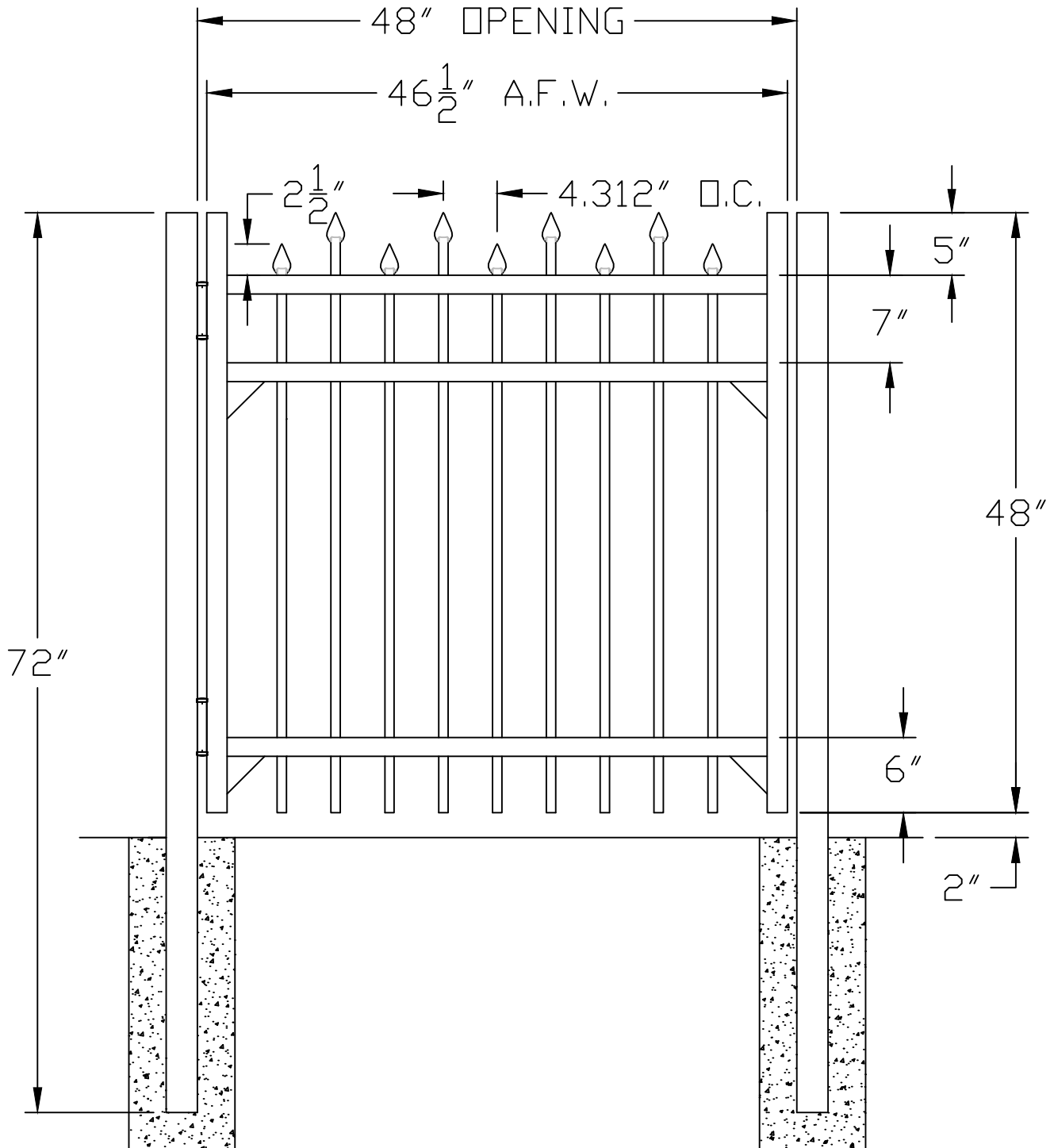


# MERCHANTS METALS VINTAGE SQUARE SPEAR TOP SMOOTH RAIL $\frac{3}{4}$ " PICKET



**NOTES:**

1. DESIGN AND SPECIFICATIONS SUBJECT TO CHANGE BY MANUFACTURE.
2. POST AND FOOTINGS AS REQUIRED BY SITE CONDITIONS AND CODES.

www.MerchantsMetals.com

Tech-Info@MerchantsMetals.com

888-260-1600

Drawing: VSP.R.C.SG



**Merchants Metals**®  
*the first name in fence solutions*

SIZE <b>A</b>	FILE: VINTAGE SQUARE MMI	PART NAME: REGENCY SPEAR TOP 3-RAIL	REV <b>A</b>
SCALE: NOT TO SCALE	DRAWN BY: SHAWN	DATE: 05/06/14	SHEET: N/A