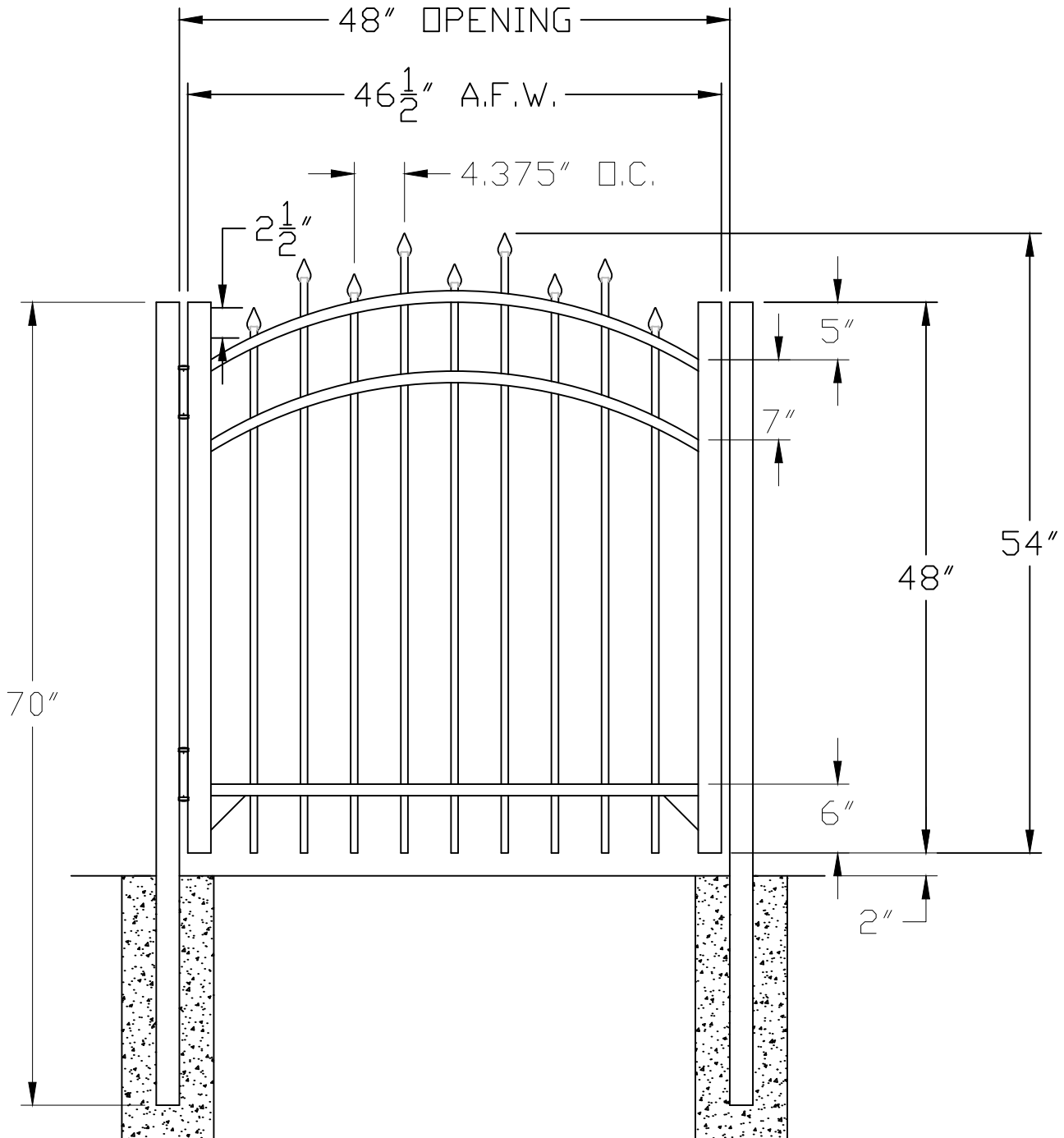


MERCHANTS METALS VINTAGE SQUARE PREMIUM SPEAR TOP SMOOTH RAIL $\frac{5}{8}$ " PICKET



NOTES:

1. DESIGN AND SPECIFICATIONS SUBJECT TO CHANGE BY MANUFACTURE.
2. POST AND FOOTINGS AS REQUIRED BY SITE CONDITIONS AND CODES.

www.MerchantsMetals.com

Tech-Info@MerchantsMetals.com

888-260-1600

Drawing: VSP.R.R.SGA



Merchants Metals®

the first name in fence solutions

SIZE A	FILE: VINTAGE SQUARE PREMIUM MMI	PART NAME: REGENCY SPEAR TOP 3-RAIL	REV A
SCALE: NOT TO SCALE	DRAWN BY: SHAWN	DATE: 05/06/14	SHEET: N/A