



Tuf-Guard®

Pre-Hung
Security
Gates



FENCE SOLUTIONS IN ORNAMENTAL • CHAIN LINK • WOOD • PVC • ACCESS CONTROL • TEMPORARY WWW.MERCHANTSMETALS.COM 866-888-5611

Safety is of the utmost importance in today's world and the security measures available to schools and other institutions have taken on a greater sense of urgency and priority.

Merchants Metals Tuf-Guard® pre-hung security gates are engineered to meet the high quality material and construction standards necessary to meet your perimeter security requirements.



Our reputation for quality has been built over the last 50 years and our pre-hung security gates are reliable members of our family of products.

Tuf-Guard® Pre-Hung Security Gates

- Available in Chain Link and Ornamental, Single or Double
- Ornamental style includes welded wire for increased security
- Galvanized Steel Components
- Wide variety of opening sizes and heights
- Panic Bar Exiting Device for safe and easy emergency exit
- Gates are shipped completely assembled from the factory
- Controlled Entry

Tuf-Guard® gates can be secured with keyed mortise locks or electric locks controlled from inside building.



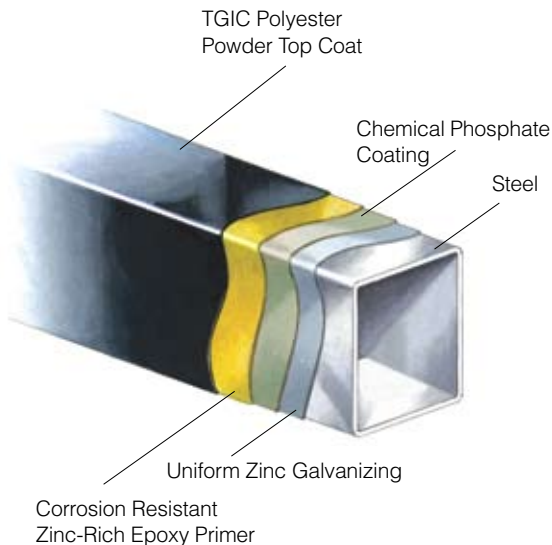
Tuf-Guard® Ornamental Gate - Available in Steel or Aluminum

APPLICATIONS

- Educational Campuses
- Medical Institutions
- Airports
- Storage Facilities
- Parking Areas
- Housing Complexes

Maintenance Free Coating

Tuf-Guard® gates are coated using a 10-step TGIC polyester powder coat finish. This revolutionary process ensures years of maintenance free performance.



Keyed Lock Outside

Our unique method of attaching the chain link to the gate frame provides added security and strength.



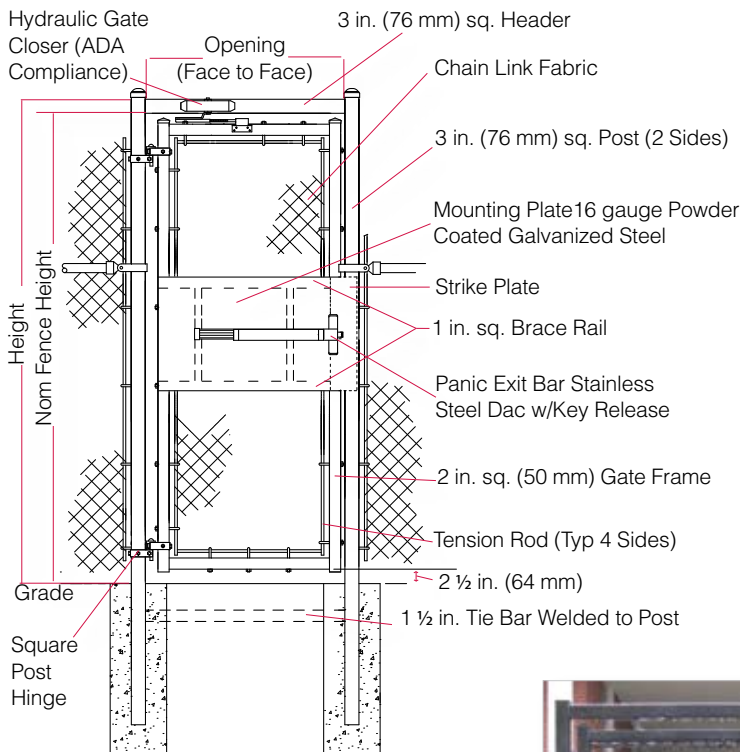
Panic Bar Exiting Device

Tuf-Guard® gates are equipped with a panic exiting device which provides a safe and easy exit in the case of an emergency.

SPECIFICATIONS

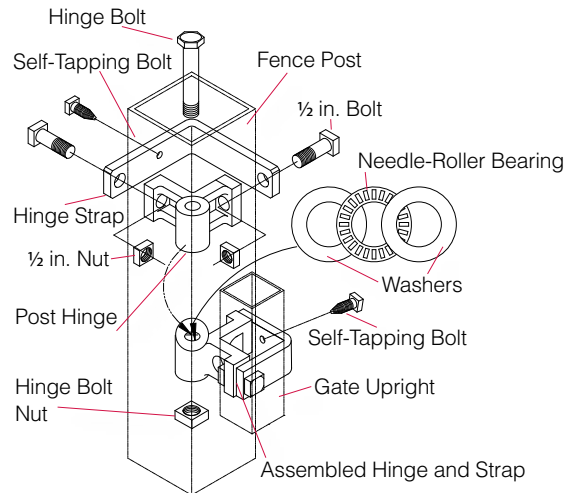
	Ornamental	Chain Link
Gate Frames	2 in. (50 mm) sq. 14 gauge	2 in. (50 mm) sq. 14 gauge
Rails	1 3/8 in. (35 mm) x 1 1/2 in. (38 mm) horizontal "U" channels 11 gauge	2 in. (50 mm) sq. 14 gauge
Colors	Black, Brown, White, Green, Almond	Black, Green, Gray
Gate Posts	3 in. sq. 12 gauge for 3 ft. (914 mm) thru 5 ft. (1524 mm) wide gates	3 in. sq. 12 gauge for 3 ft. (914 mm) thru 5 ft. (1524 mm) wide gates
Filler	Pickets: 3/4 in. (19 mm) or 1 in. (25 mm)	Fabric: 2 in. mesh, 9 gauge - additional sizes available
Lock Options	<ul style="list-style-type: none"> • Electric Lock may be used with intercom and CCTV • Automatic / Hydraulic Gate Closer • Mortise Lock - keyed one side or both sides • Panic Bar Exiting Device – anodized aluminum with stainless steel latch • Weather Resistant 	<ul style="list-style-type: none"> • Electric Lock may be used with intercom and CCTV • Automatic / Hydraulic Gate Closer • Mortise Lock - keyed one side or both sides • Panic Bar Exiting Device - anodized aluminum with stainless steel latch • Weather Resistant

Tuf-Guard® Security Gate

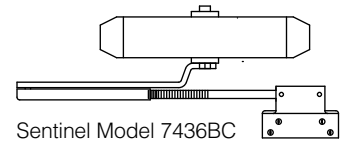


Heavy-Duty Gate Hinges

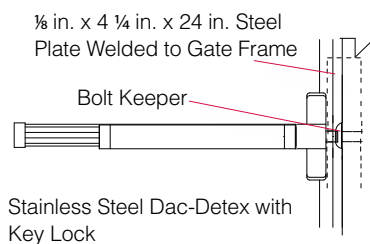
Non-slip post hinges ensure proper gate alignment.



Hydraulic Closer



36 in. Panic Exit Bar



Tuf-Guard® Chain Link Security Gate with Keyed Lock

SPECS & DRAWINGS @ MERCHANTSMETALS.COM

FOR MORE INFORMATION, DRAWINGS OR SPECIFICATIONS, PLEASE CALL THE MERCHANTS METALS SPECIFICATION DEPARTMENT AT 888-260-1600 OR EMAIL TECH-INFO@MERCHANTSMETALS.COM

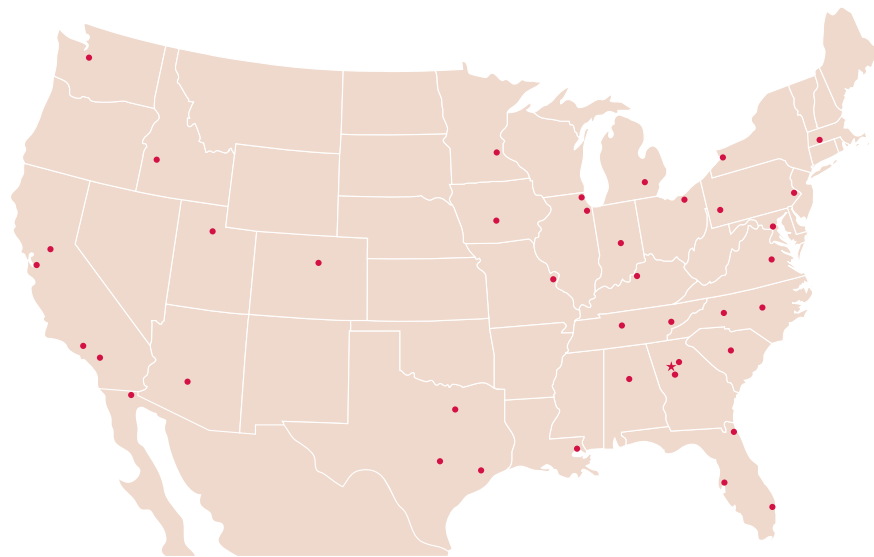
Additional Fence Solutions

Merchants Metals is one of the largest manufacturers and distributors of fence systems in the nation. The company's complete line of fencing solutions for residential, commercial and industrial applications includes:

- Hot Dipped Galvanized Chain Link
- Color Coated Chain Link
- Steel Ornamental in Both Component and Fully-Welded Systems
- Aluminum Ornamental Systems
- Wood Fence
- PVC Fence
- Temporary Fence
- Aluminum Track Gates
- Access Control Products
- Guardrail
- Pre-hung Security Gates
- Welded Wire

All Merchants Metals products are available through professional fence contractors nationwide.

To find out more about Merchants Metals and the fencing solutions we offer, please call 866.888.5611 or visit www.merchantsmetals.com.



AIA Continuing Education



ORNAMENTAL



CHAIN LINK



WOOD



PVC



ACCESS CONTROL



866.888.5611
www.merchantsmetals.com

