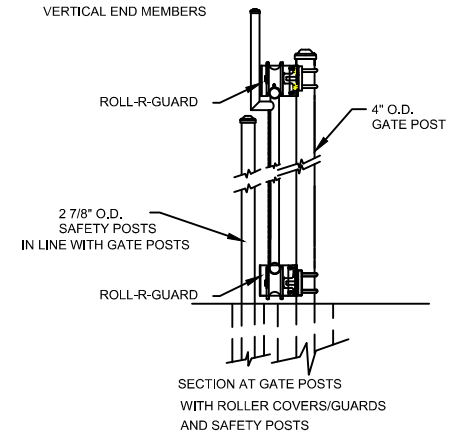
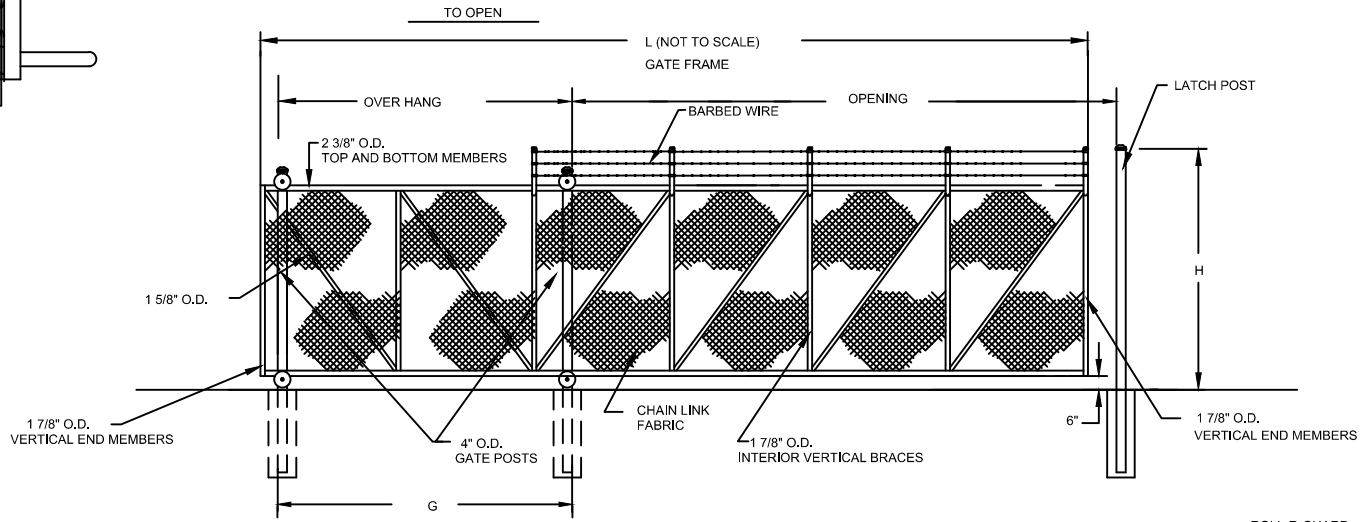
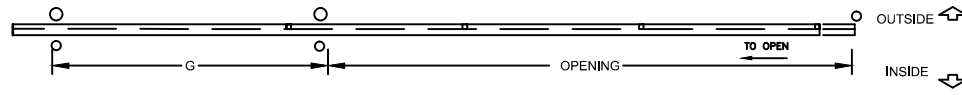
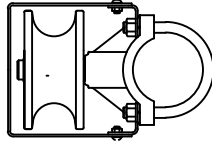


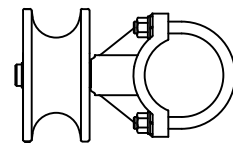
ROLLER ASSY.  
WITH ROLL-R-GUARD  
(TOP)



NOM HEIGHT (H)
6'-0" OR 6+1=7'
7'-0" OR 7+1=8'
8'-0" OR 8+1=9'



ROLLER ASSY.  
WITH ROLL-R-GUARD  
(BOTTOM)



ROLLER ASSY.  
(GUARD NOT SHOWN)

SINGLE CANTILEVERED SLIDE GATE ELEVATION / SECTION

TYPE II CLASS 1 EXTERNAL ROLLERS  
ROUND POSTS W/ BARBED WIRE  
6' - 22' OPENING

NOTES:  
DESIGN AND SPECIFICATION SUBJECT TO CHANGE  
FOOTING AND POSTS AS REQUIRED BY SITE CONDITIONS & CODES

**Merchants Metals**<sup>®</sup>  
*the first name in fence solutions*

**CHAIN LINK  
CANTILEVERED SLIDE GATE**

BY: ART 2.11.10	SCALE: NTS	DWG #: CL20
WWW.MerchantsMetals.com		COPYRIGHT ©