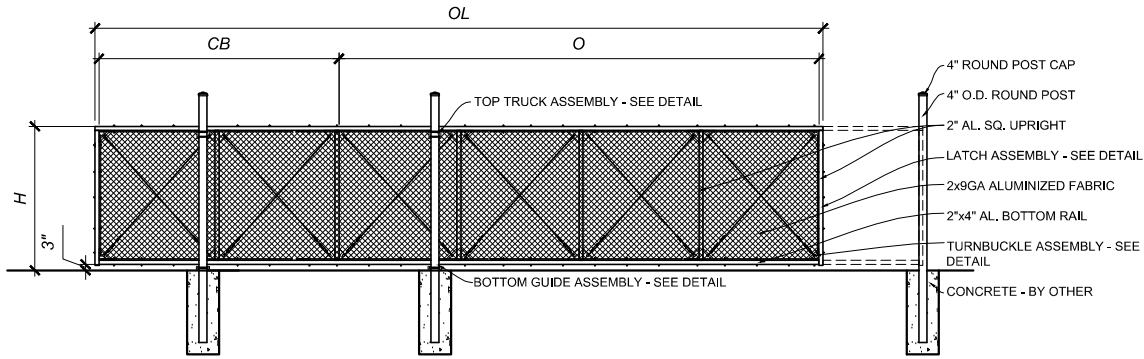


**SECURE TRAC CANTILEVER SLIDE GATE  
PLAN 1/8"=1'-0"**



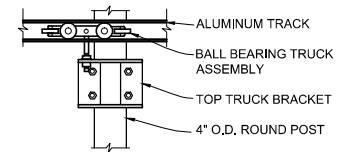
**SECURE TRAC CANTILEVER SLIDE GATE  
ELEVATION - OUTSIDE LOOKING IN 1/8"=1'-0"**

OPENING (O) INSIDE FACE OF POST TO INSIDE FACE OF POST	COUNTERBALANCE (CB)	
	OUTSIDE OF FRAME TO OUTSIDE OF FRAME	OUTSIDE FACE OF POST TO OUTSIDE FACE OF POST
10'-0"	16'-10"	6'-6"
11'-0"	18'-10"	7'-6"
12'-0"	19'-10"	7'-6"
13'-0"	20'-10"	7'-6"
14'-0"	21'-10"	7'-6"
15'-0"	25'-4"	10'-0"
16'-0"	26'-4"	10'-0"
17'-0"	27'-4"	10'-0"
18'-0"	28'-4"	10'-0"
19'-0"	29'-4"	10'-0"
20'-0"	30'-4"	10'-0"
21'-0"	31'-4"	10'-0"
22'-0"	32'-4"	10'-0"
23'-0"	35'-4"	12'-0"
24'-0"	36'-4"	12'-0"
25'-0"	37'-4"	12'-0"
26'-0"	38'-4"	12'-0"
27'-0"	39'-4"	12'-0"
28'-0"	40'-4"	12'-0"
29'-0"	41'-4"	12'-0"
30'-0"	42'-4"	12'-0"

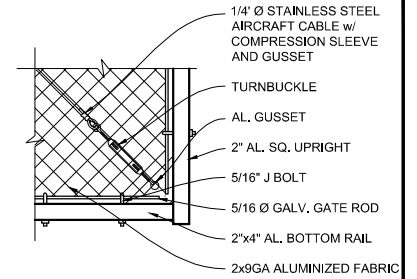
NOMINAL HEIGHT (H)
6'-0"
7'-0"
8'-0"

**NOTES:**

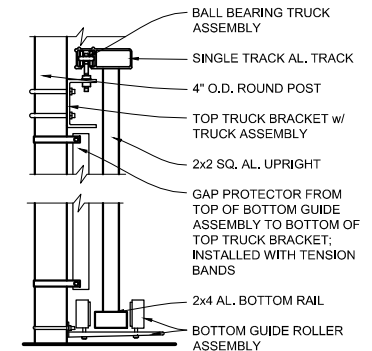
- SPECIFICATIONS SHOWN CAN BE CHANGED BY THE MANUFACTURER ONLY.
- ALL COMPONENTS OF THE PANEL TO BE MILL FINISH (UNCOATED)
- OUTSIDE LOOKING IN, GATE LATCHES ON RIGHT
- GATE WILL BE HUNG ON THE INSIDE OF THE FENCE LINE
- HEIGHT IS FROM GRADE TO TOP OF GATE. ACTUAL HEIGHT IS 3" LESS.
- FOOTING & POSTS AS REQUIRED BY SITE CONDITIONS & CODES



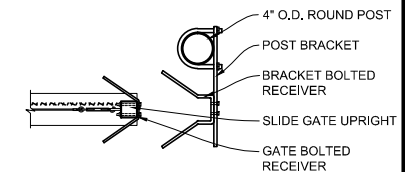
**TOP TRUCK ASSEMBLY  
DETAIL 1/2"=1'-0"**



**TURNBUCKLE ASSEMBLY  
DETAIL 1/2"=1'-0"**



**BOTTOM GUIDE ASSEMBLY  
DETAIL 1/2"=1'-0"**



**LATCH ASSEMBLY  
PLAN DETAIL 1/2"=1'-0"**

**Merchants Metals**  
the first name in fence solutions

**SECURE TRAC CANTILEVER SLIDE GATE  
CHAINLINK**

STANDARD GATE DESIGN FOR 10'-30' OPENINGS

BY: JR  
DATE: 4.4.14  
REV:

DWG. NO. CLST10-30  
SCALE: AS NOTED