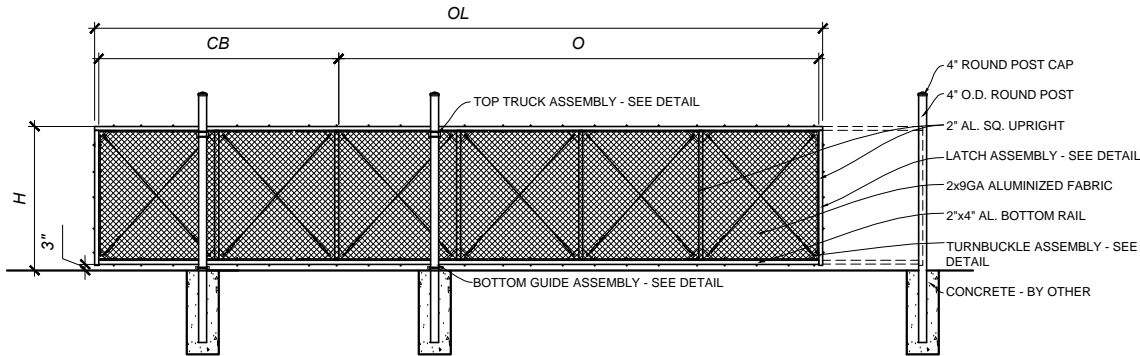
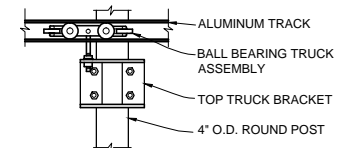


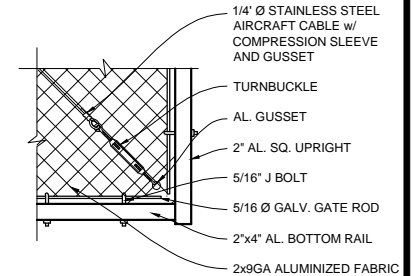
SECURE TRAC CANTILEVER SLIDE GATE
PLAN 1/8"=1'-0"



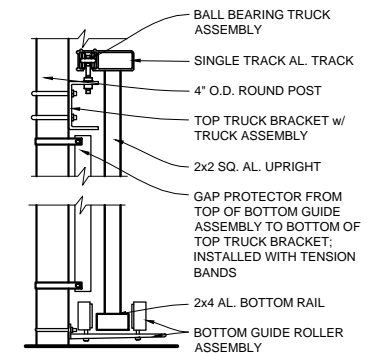
SECURE TRAC CANTILEVER SLIDE GATE
ELEVATION - OUTSIDE LOOKING IN 1/8"=1'-0"



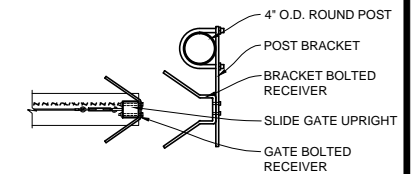
TOP TRUCK ASSEMBLY
DETAIL 1/2"=1'-0"



TURNBUCKLE ASSEMBLY
DETAIL 1/2"=1'-0"



BOTTOM GUIDE ASSEMBLY
DETAIL 1/2"=1'-0"



LATCH ASSEMBLY
PLAN DETAIL 1/2"=1'-0"

OPENING (O)	OVERALL LENGTH (OL)		COUNTERBALANCE (CB)
	INSIDE FACE OF POST TO INSIDE FACE OF POST	OUTSIDE OF FRAME TO OUTSIDE OF FRAME	
10'-0"	16'-10"	6'-6"	
11'-0"	18'-10"	7'-6"	
12'-0"	19'-10"	7'-6"	
13'-0"	20'-10"	7'-6"	
14'-0"	21'-10"	7'-6"	
15'-0"	25'-4"	10'-0"	
16'-0"	26'-4"	10'-0"	
17'-0"	27'-4"	10'-0"	
18'-0"	28'-4"	10'-0"	
19'-0"	29'-4"	10'-0"	
20'-0"	30'-4"	10'-0"	
21'-0"	31'-4"	10'-0"	
22'-0"	32'-4"	10'-0"	
23'-0"	35'-4"	12'-0"	
24'-0"	36'-4"	12'-0"	
25'-0"	37'-4"	12'-0"	
26'-0"	38'-4"	12'-0"	
27'-0"	39'-4"	12'-0"	
28'-0"	40'-4"	12'-0"	
29'-0"	41'-4"	12'-0"	
30'-0"	42'-4"	12'-0"	

NOMINAL HEIGHT (H)
6'-0"
7'-0"
8'-0"

- NOTES:**
- SPECIFICATIONS SHOWN CAN BE CHANGED BY THE MANUFACTURER ONLY.
 - ALL COMPONENTS OF THE PANEL TO BE MILL FINISH (UNCOATED)
 - OUTSIDE LOOKING IN, GATE LATCHES ON RIGHT
 - GATE WILL BE HUNG ON THE INSIDE OF THE FENCE LINE
 - HEIGHT IS FROM GRADE TO TOP OF GATE. ACTUAL HEIGHT IS 3" LESS.
 - FOOTING & POSTS AS REQUIRED BY SITE CONDITIONS & CODES

Merchants Metals
the first name in fence solutions

SECURE TRAC CANTILEVER SLIDE GATE
CHAINLINK

STANDARD GATE DESIGN FOR 10'-30' OPENINGS

BY: JR
 DATE: 4.4.14
 REV:

DWG. NO. CLST10-30
 SCALE: AS NOTED