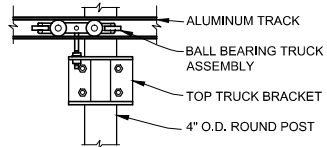
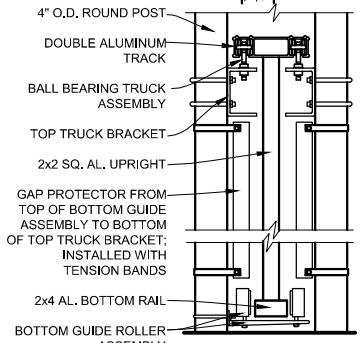


OPENING	OVERALL LENGTH	COUNTERBALANCE
INSIDE FACE OF POST TO INSIDE FACE OF POST	OUTSIDE OF FRAME TO OUTSIDE OF FRAME	OUTSIDE FACE OF POST TO OUTSIDE FACE OF POST
31'-0"	47'-4"	16'-0"
32'-0"	48'-4"	16'-0"
33'-0"	49'-4"	16'-0"
34'-0"	50'-4"	16'-0"
35'-0"	51'-4"	16'-0"
36'-0"	52'-4"	16'-0"
37'-0"	53'-4"	16'-0"
38'-0"	54'-4"	16'-0"
39'-0"	55'-4"	16'-0"
40'-0"	56'-4"	16'-0"

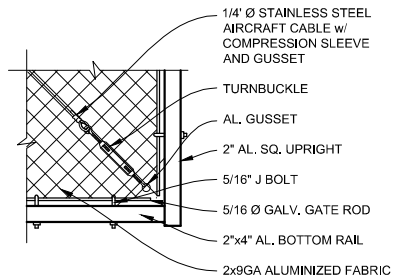
NOMINAL HEIGHT (H)
6'-0"
7'-0"
8'-0"



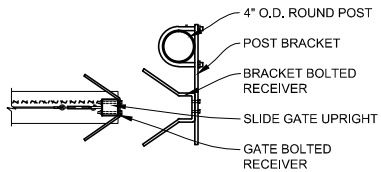
TOP TRUCK ASSEMBLY  
DETAIL 1/2"=1'-0"



BOTTOM GUIDE ASSEMBLY  
DETAIL 1/2"=1'-0"



TURNBUCKLE ASSEMBLY  
DETAIL 1/2"=1'-0"



LATCH ASSEMBLY  
PLAN DETAIL 1/2"=1'-0"

- NOTES:
1. SPECIFICATIONS SHOWN CAN BE CHANGED BY THE MANUFACTURER ONLY.
  2. ALL COMPONENTS OF THE PANEL TO BE MILL FINISH (UNCOATED)
  3. OUTSIDE LOOKING IN, GATE LATCHES ON RIGHT
  4. HEIGHT IS FROM GRADE TO TOP OF GATE. ACTUAL HEIGHT IS 3" LESS.
  5. FOOTING & POSTS AS REQUIRED BY SITE CONDITIONS & CODES

 <p>COPYRIGHT © MERCHANTS METALS ALL RIGHTS RESERVED</p> <p><b>Merchants Metals</b><sup>®</sup></p> <p><i>the first name in fence solutions</i></p>	<p>SECURE TRAC CANTILEVER SLIDE GATE WITH CHAINLINK FABRIC</p>	<p>BY: JR</p>	<p>DWG. NO.</p>
	<p>STANDARD GATE DESIGN FOR 31'-40' OPENINGS</p>	<p>DATE: 4.4.14</p>	<p>CLST31-40</p>
		<p>REV:</p>	<p>SCALE: AS NOTED</p>