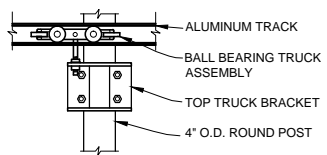


SECURE TRAC CANTILEVER GATE
 PLAN 1/8"=1'-0"

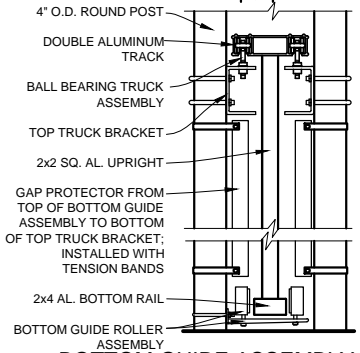
SECURE TRAC CANTILEVER SLIDE GATE
 ELEVATION - OUTSIDE LOOKING IN 1/8"=1'-0"

OPENING	OVERALL LENGTH	COUNTERBALANCE
INSIDE FACE OF POST TO INSIDE FACE OF POST	OUTSIDE OF FRAME TO OUTSIDE OF FRAME	OUTSIDE FACE OF POST TO OUTSIDE FACE OF POST
31'-0"	47'-4"	16'-0"
32'-0"	48'-4"	16'-0"
33'-0"	49'-4"	16'-0"
34'-0"	50'-4"	16'-0"
35'-0"	51'-4"	16'-0"
36'-0"	52'-4"	16'-0"
37'-0"	53'-4"	16'-0"
38'-0"	54'-4"	16'-0"
39'-0"	55'-4"	16'-0"
40'-0"	56'-4"	16'-0"

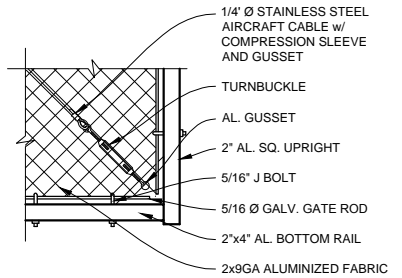
NOMINAL HEIGHT (H)
6'-0"
7'-0"
8'-0"



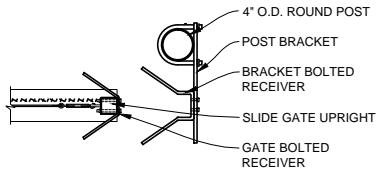
TOP TRUCK ASSEMBLY
 DETAIL 1/2"=1'-0"



BOTTOM GUIDE ASSEMBLY
 DETAIL 1/2"=1'-0"



TURNBUCKLE ASSEMBLY
 DETAIL 1/2"=1'-0"



LATCH ASSEMBLY
 PLAN DETAIL 1/2"=1'-0"

- NOTES:**
1. SPECIFICATIONS SHOWN CAN BE CHANGED BY THE MANUFACTURER ONLY.
 2. ALL COMPONENTS OF THE PANEL TO BE MILL FINISH (UNCOATED)
 3. OUTSIDE LOOKING IN, GATE LATCHES ON RIGHT
 4. HEIGHT IS FROM GRADE TO TOP OF GATE. ACTUAL HEIGHT IS 3" LESS.
 5. FOOTING & POSTS AS REQUIRED BY SITE CONDITIONS & CODES

Merchants Metals
 the first name in fence solutions

SECURE TRAC CANTILEVER SLIDE GATE
 WITH CHAINLINK FABRIC

STANDARD GATE DESIGN FOR 31'-40' OPENINGS

BY: JR
 DATE: 4.4.14
 REV:

DWG. NO.
 CLST31-40
 SCALE: AS NOTED