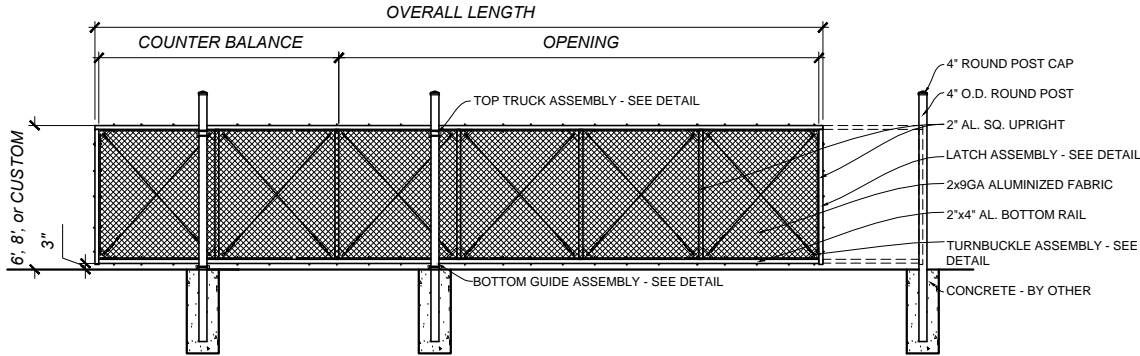


SECURE TRAC CANTILEVER SLIDE GATE
PLAN 1/8"=1'-0"

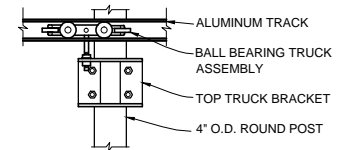


SECURE TRAC CANTILEVER SLIDE GATE
ELEVATION - OUTSIDE LOOKING IN 1/8"=1'-0"

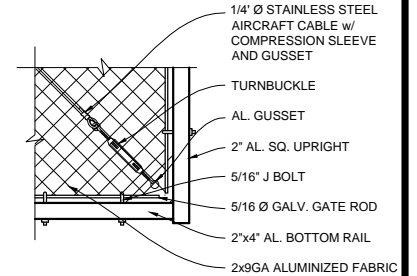
OPENING	OVERALL LENGTH	COUNTERBALANCE
INSIDE FACE OF POST TO INSIDE FACE OF POST	OUTSIDE OF FRAME TO OUTSIDE OF FRAME	OUTSIDE FACE OF POST TO OUTSIDE FACE OF POST
10'-0"	16'-10"	6'-6"
11'-0"	18'-10"	7'-6"
12'-0"	19'-10"	7'-6"
13'-0"	20'-10"	7'-6"
14'-0"	21'-10"	7'-6"
15'-0"	25'-4"	10'-0"
16'-0"	26'-4"	10'-0"
17'-0"	27'-4"	10'-0"
18'-0"	28'-4"	10'-0"
19'-0"	29'-4"	10'-0"
20'-0"	30'-4"	10'-0"
21'-0"	31'-4"	10'-0"
22'-0"	32'-4"	10'-0"
23'-0"	35'-4"	12'-0"
24'-0"	36'-4"	12'-0"
25'-0"	37'-4"	12'-0"
26'-0"	38'-4"	12'-0"
27'-0"	39'-4"	12'-0"
28'-0"	40'-4"	12'-0"
29'-0"	41'-4"	12'-0"
30'-0"	42'-4"	12'-0"

NOTES:

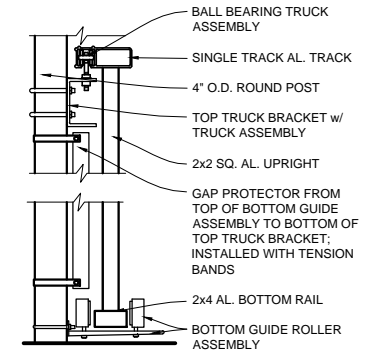
1. SPECIFICATIONS SHOWN CAN BE CHANGED BY THE MANUFACTURER ONLY.
2. ALL COMPONENTS OF THE PANEL TO BE MILL FINISH (UNCOATED)
3. OUTSIDE LOOKING IN, GATE LATCHES ON RIGHT
4. GATE WILL BE HUNG ON THE INSIDE OF THE FENCE LINE
5. HEIGHT IS FROM GRADE TO TOP OF GATE. ACTUAL HEIGHT IS 3" LESS.
6. FOOTING & POSTS AS REQUIRED BY SITE CONDITIONS & CODES



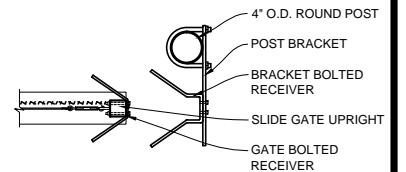
TOP TRUCK ASSEMBLY
DETAIL 1/2"=1'-0"



TURNBUCKLE ASSEMBLY
DETAIL 1/2"=1'-0"



BOTTOM GUIDE ASSEMBLY
DETAIL 1/2"=1'-0"



LATCH ASSEMBLY
PLAN DETAIL 1/2"=1'-0"



COPYRIGHT © MERCHANTS METALS
 ALL RIGHTS RESERVED

Merchants Metals
the first name in fence solutions

SECURE TRAC CANTILEVER SLIDE GATE
CHAINLINK

STANDARD GATE DESIGN FOR 10'-30' OPENINGS

BY: DDD

DATE: 5.14.14

REV:

DWG. NO.

STCL10-30

SCALE:

AS NOTED