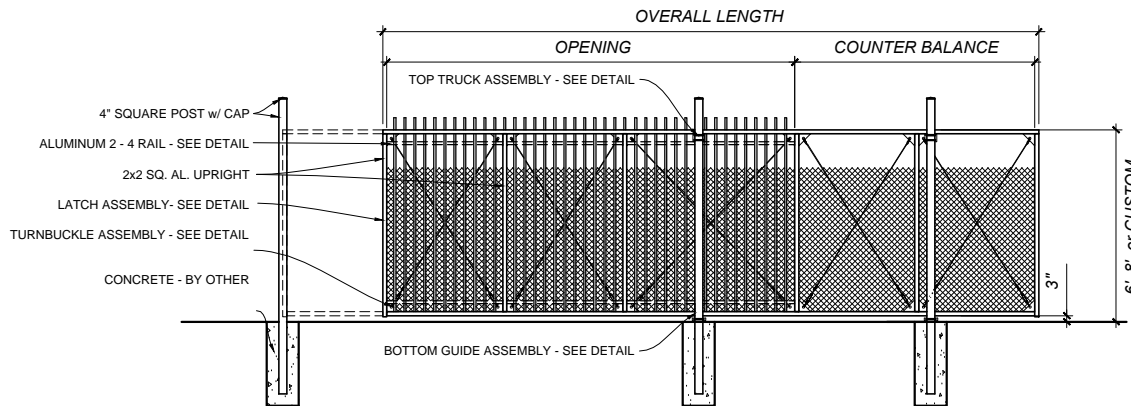
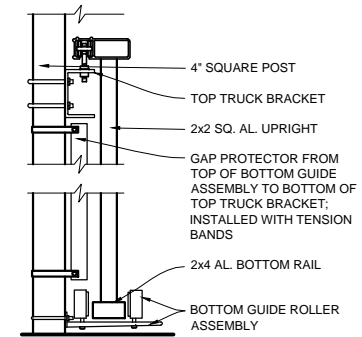


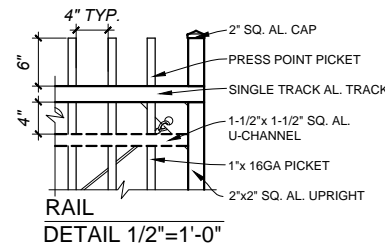
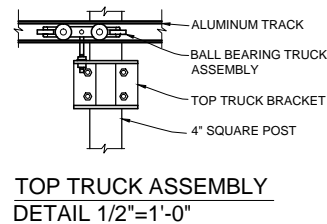
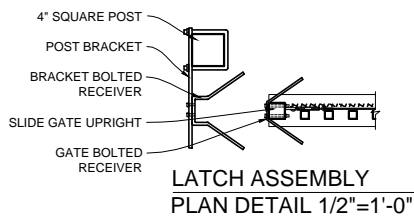
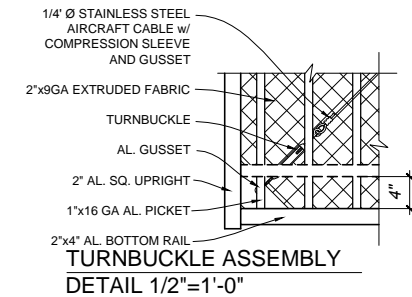
SECURE TRAC CANTILEVER GATE
PLAN 1/8"=1'-0"



SECURE TRAC CANTILEVER GATE
ELEVATION - OUTSIDE LOOKING IN 1/8"=1'-0"



BOTTOM GUIDE ASSEMBLY
DETAIL 1/2"=1'-0"



OPENING	OVERALL LENGTH	COUNTERBALANCE
INSIDE FACE OF POST TO INSIDE FACE OF POST	OUTSIDE OF FRAME TO OUTSIDE OF FRAME	OUTSIDE FACE OF POST TO OUTSIDE FACE OF POST
10'-0"	16'-10"	6'-6"
11'-0"	18'-10"	7'-6"
12'-0"	19'-10"	7'-6"
13'-0"	20'-10"	7'-6"
14'-0"	21'-10"	7'-6"
15'-0"	25'-4"	10'-0"
16'-0"	26'-4"	10'-0"
17'-0"	27'-4"	10'-0"
18'-0"	28'-4"	10'-0"
19'-0"	29'-4"	10'-0"
20'-0"	30'-4"	10'-0"
21'-0"	31'-4"	10'-0"
22'-0"	32'-4"	10'-0"
23'-0"	35'-4"	12'-0"
24'-0"	36'-4"	12'-0"
25'-0"	37'-4"	12'-0"
26'-0"	38'-4"	12'-0"
27'-0"	39'-4"	12'-0"
28'-0"	40'-4"	12'-0"
29'-0"	41'-4"	12'-0"
30'-0"	42'-4"	12'-0"

NOTES:

1. SPECIFICATIONS SHOWN CAN BE CHANGED BY THE MANUFACTURER ONLY.
2. GATE TO HANG ON THE INSIDE OF THE FENCE LINE.
3. FOOTING WIDTH TO BE MIN. 4(x) SIZE OF THE POST.
4. POSTS AND FOOTING AS REQUIRED BY CODES AND SITE CONDITIONS.



COPYRIGHT © MERCHANTS METALS
ALL RIGHTS RESERVED

Merchants Metals®

the first name in fence solutions

SECURE TRAC CANTILEVER GATE
GUARDSMAN 2 - 4 RAIL KENT

10' - 30' OPENING x 6' - 8' HIGH
(Nom.Dimension)

BY: DDD

DATE: 5.13.14

REV:

DWG. NO.

STGKT10-30

SCALE:

AS NOTED