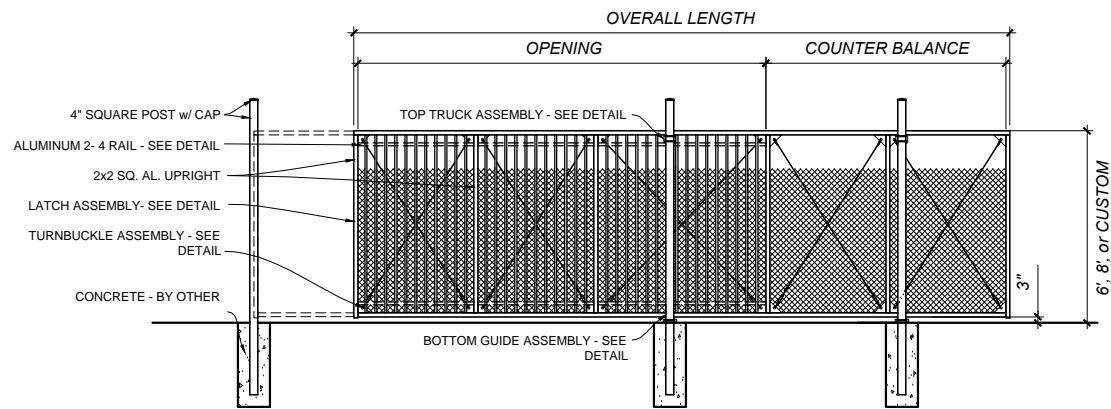
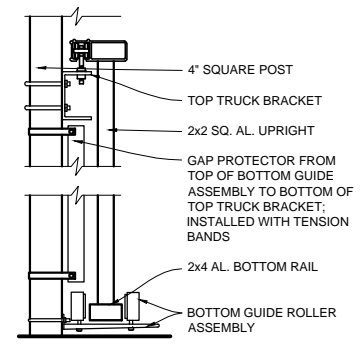


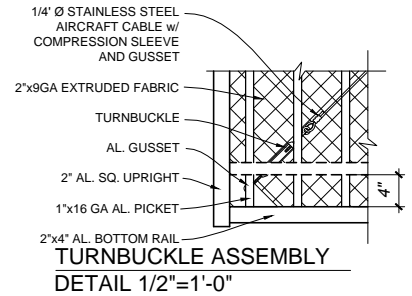
**SECURE TRAC CANTILEVER GATE**  
PLAN 1/8"=1'-0"



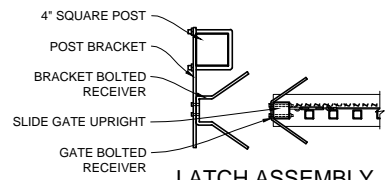
**SECURE TRAC CANTILEVER GATE**  
ELEVATION - OUTSIDE LOOKING IN 1/8"=1'-0"



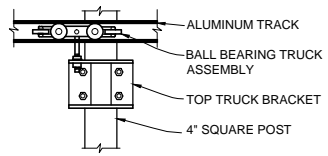
**BOTTOM GUIDE ASSEMBLY**  
DETAIL 1/2"=1'-0"



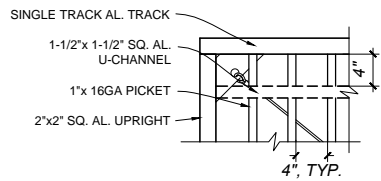
**TURNBUCKLE ASSEMBLY**  
DETAIL 1/2"=1'-0"



**LATCH ASSEMBLY**  
PLAN DETAIL 1/2"=1'-0"



**TOP TRUCK ASSEMBLY**  
DETAIL 1/2"=1'-0"



**RAIL**  
DETAIL 1/2"=1'-0"

OPENING	OVERALL LENGTH	COUNTERBALANCE
INSIDE FACE OF POST TO INSIDE FACE OF POST	OUTSIDE OF FRAME TO OUTSIDE OF FRAME	OUTSIDE FACE OF POST TO OUTSIDE FACE OF POST
10'-0"	16'-10"	6'-6"
11'-0"	18'-10"	7'-6"
12'-0"	19'-10"	7'-6"
13'-0"	20'-10"	7'-6"
14'-0"	21'-10"	7'-6"
15'-0"	25'-4"	10'-0"
16'-0"	26'-4"	10'-0"
17'-0"	27'-4"	10'-0"
18'-0"	28'-4"	10'-0"
19'-0"	29'-4"	10'-0"
20'-0"	30'-4"	10'-0"
21'-0"	31'-4"	10'-0"
22'-0"	32'-4"	10'-0"
23'-0"	35'-4"	12'-0"
24'-0"	36'-4"	12'-0"
25'-0"	37'-4"	12'-0"
26'-0"	38'-4"	12'-0"
27'-0"	39'-4"	12'-0"
28'-0"	40'-4"	12'-0"
29'-0"	41'-4"	12'-0"
30'-0"	42'-4"	12'-0"

- NOTES:**
1. SPECIFICATIONS SHOWN CAN BE CHANGED BY THE MANUFACTURER ONLY.
  2. GATE TO HANG ON THE INSIDE OF THE FENCE LINE.
  3. FOOTING WIDTH TO BE MIN. 4(x) SIZE OF THE POST.
  4. POSTS AND FOOTING AS REQUIRED BY CODES AND SITE CONDITIONS.

COPYRIGHT © MERCHANTS METALS  
ALL RIGHTS RESERVED

**Merchants Metals**  
the first name in fence solutions

**SECURE TRAC CANTILEVER GATE**  
**GUARDSMAN 2 - 4 RAIL MONROE**

10' - 30' OPENING x 6' - 8' HIGH  
(Nom.Dimension)

BY: DDD  
DATE: 5.13.14  
REV:

DWG. NO.  
STGMO10-30  
SCALE:  
AS NOTED