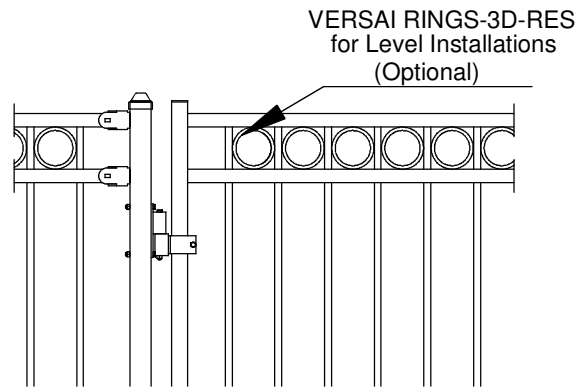
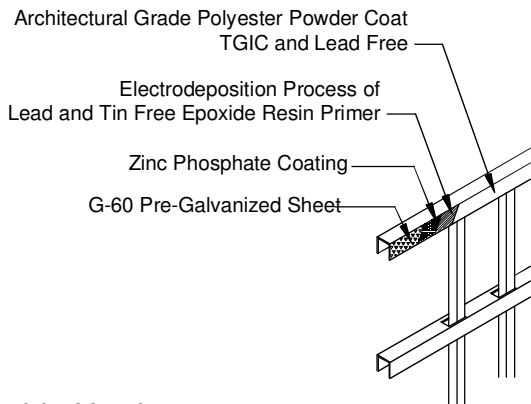
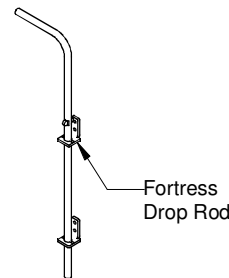
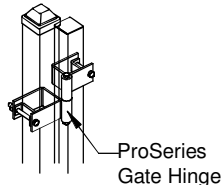
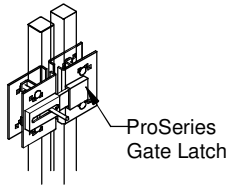


F-F: TYPICAL SPACING FOR TWO 08 DDGP-196  $\frac{1}{2}$ "  
 SPACING CAN VARY DEPENDING ON GATE  
 HARDWARE USED. CONSULT GATE HARDWARE  
 INSTRUCTIONS.



Applicable Hardware:



The product design contained on this drawing is proprietary to Fortress Iron, LP, Richardson, Texas, USA, and is not to be copied electronically or manually, or reproduced in any manner, or divulged to other sources, without the expressed written permission of an authorized representative of Fortress Iron L.P.



**Fortress Fence**  
 PO Box# 831268  
 Richardson, TX 75081

www.fortressfence.com

Style: <b>V2 FT-FB</b>	Description: <b>FT-FB-V2-H" COM-08-DDGP</b>	
Height: <b>46", 54", 58", 70"</b>	Rev #: <b>0</b>	Rev Date: <b>8/7/14</b>
Panel Length: <b>96"</b>	Scale: <b>Do Not Scale</b>	
Class: <b>Commercial</b>	Drawn By: <b>BB</b>	Date: <b>7/18/12</b>