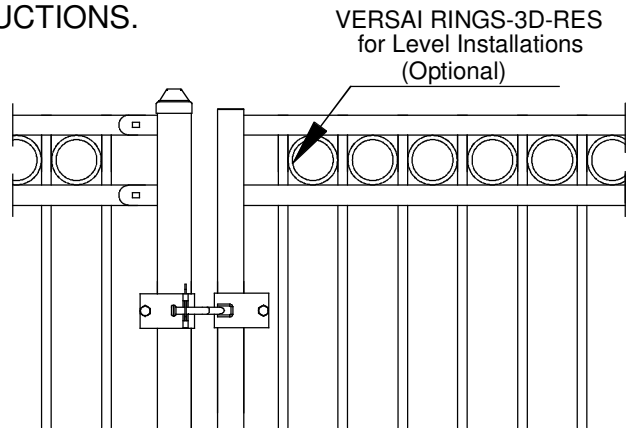
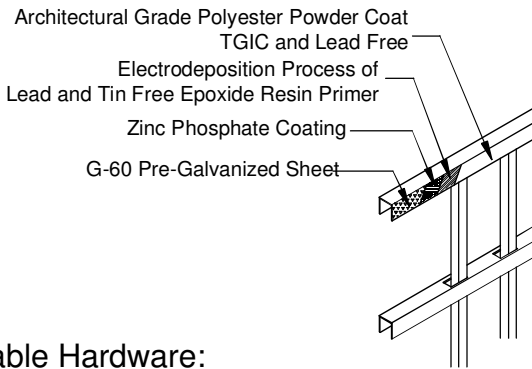
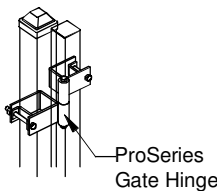
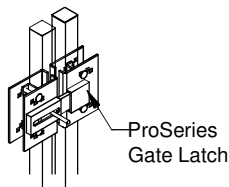


F-F: TYPICAL SPACING 49 $\frac{1}{2}$ " POST FACE TO POST FACE .
SPACING CAN VARY DEPENDING ON GATE HARDWARE USED.
CONSULT GATE HARDWARE INSTRUCTIONS.



Applicable Hardware:



The product design contained on this drawing is proprietary to Fortress Iron, LP, Richardson, Texas, USA, and is not to be copied electronically or manually, or reproduced in any manner, or divulged to other sources, without the expressed written permission of an authorized representative of Fortress Iron L.P.



Fortress Fence
 PO Box# 831268
 Richardson, TX 75081

Style: **V2 FT-FB**

Height: **46", 54", 58", 70"**

Panel Length: **46.5"**

Class: **Commercial**

Description: **FT-FB-V2-H" COM-04-GP**

Rev #: **0**

Rev Date: **8/7/14**

Scale: **Do Not Scale**

Drawn By: **BB**

Date: **7/18/12**