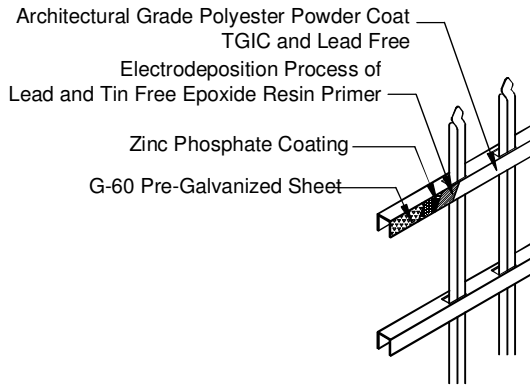
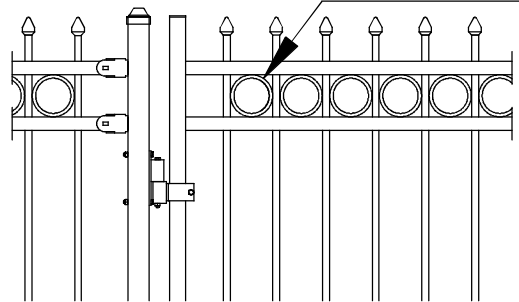


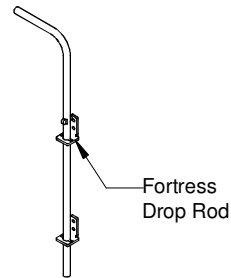
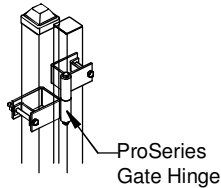
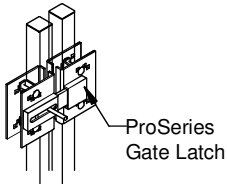
F-F: TYPICAL SPACING FOR TWO 08 DDGP-196 1/2"
SPACING CAN VARY DEPENDING ON GATE
HARDWARE USED. CONSULT GATE HARDWARE
INSTRUCTIONS.



VERSARINGS-3D-RES
for Level Installations
(Optional)



Applicable Hardware:



The product design contained on this drawing is proprietary to Fortress Iron, LP, Richardson, Texas, USA, and is not to be copied electronically or manually, or reproduced in any manner, or divulged to other sources, without the expressed written permission of an authorized representative of Fortress Iron L.P.



Fortress Fence
PO Box# 831268
Richardson, TX 75081

www.fortressfence.com

Style: V2 SP	Description: SP-V2-H" COM-08-DDGP	
Height: 46", 58", 70", 82", 94"	Rev #: 0	Rev Date: 8/6/14
Panel Length: 96"	Scale: Do Not Scale	
Class: Commercial	Drawn By: BB	Date: 7/18/12