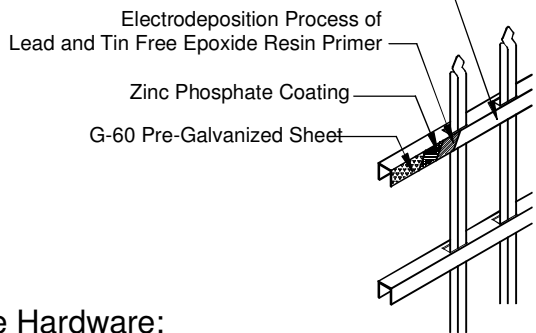
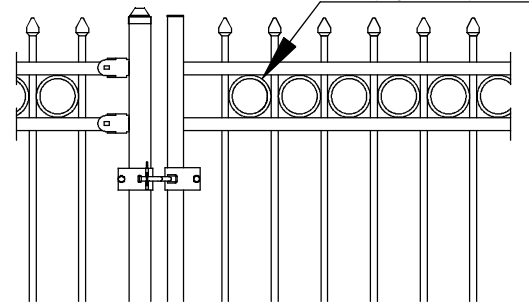


**F-F: TYPICAL SPACING  $49 \frac{1}{2}''$  POST FACE TO POST FACE .**  
**SPACING CAN VARY DEPENDING ON GATE HARDWARE USED.**  
**CONSULT GATE HARDWARE INSTRUCTIONS.**

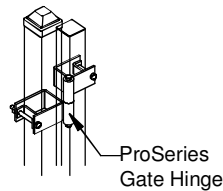
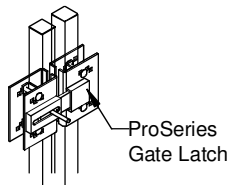
Architectural Grade Polyester Powder Coat  
 TGIC and Lead Free



**VERSAI RINGS-3D-RES**  
 for Level Installations  
 (Optional)



Applicable Hardware:



The product design contained on this drawing is proprietary to Fortress Iron, LP, Richardson, Texas, USA, and is not to be copied electronically or manually, or reproduced in any manner, or divulged to other sources, without the expressed written permission of an authorized representative of Fortress Iron L.P.



**Fortress Fence**  
 PO Box# 831268  
 Richardson, TX 75081

Style: <b>V2 SP</b>	Description: <b>SP-V2-H" COM-04-GP</b>	
Height: <b>46", 58", 70", 82", 94"</b>	Rev #: <b>0</b>	Rev Date: <b>8/7/14</b>
Panel Length: <b>46.5"</b>	Scale: <b>Do Not Scale</b>	
Class: <b>Commercial</b>	Drawn By: <b>BB</b>	Date: <b>7/18/12</b>