

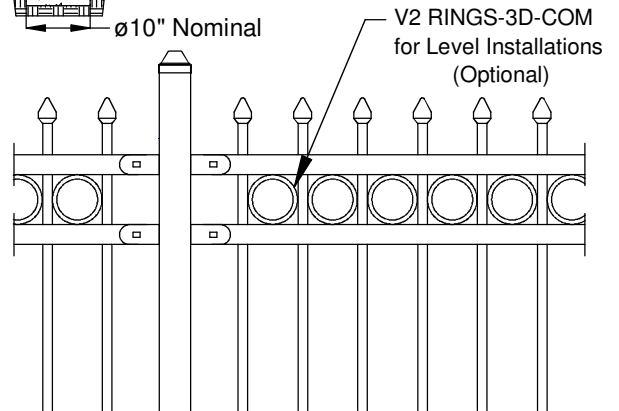
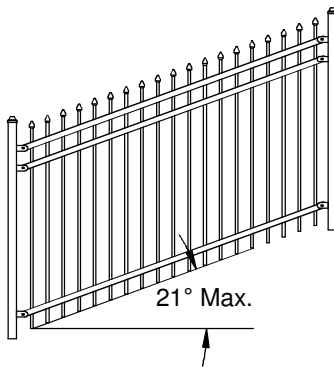
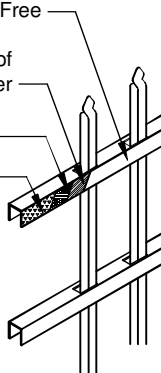
*82", 94" only offered with 3 rails

Architectural Grade Polyester Powder Coat
TGIC and Lead Free

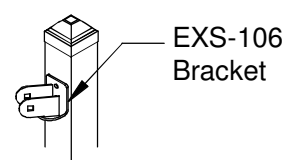
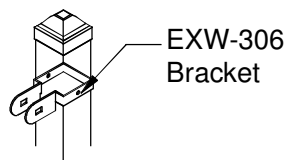
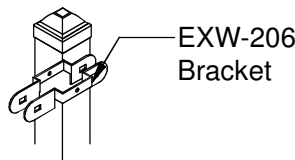
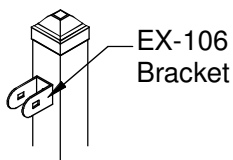
Electrodeposition Process of
Lead and Tin Free Epoxide Resin Primer

Zinc Phosphate Coating

G-60 Pre-Galvanized Sheet



Applicable Brackets



The product design contained on this drawing is proprietary to Fortress Iron, LP, Richardson, Texas, USA, and is not to be copied electronically or manually, or reproduced in any manner, or divulged to other sources, without the expressed written permission of an authorized representative of Fortress Iron L.P.



Fortress Fence
PO Box# 831268
Richardson, TX 75081

Style: **V2 SP**

Height: **46", 58", 70", 82", 94"**

Panel Length: **90.5"**

Class: **Commercial**

Description: **SP-V2-H" COM 90.5**

Rev #: **0**

Rev Date: **8/7/14**

Scale: **Do Not Scale**

Drawn By: **BB**

Date: **7/02/12**