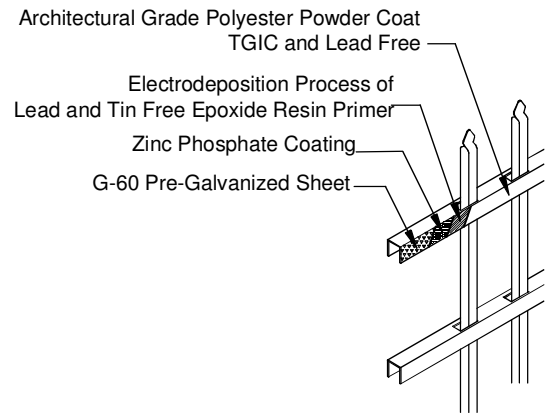
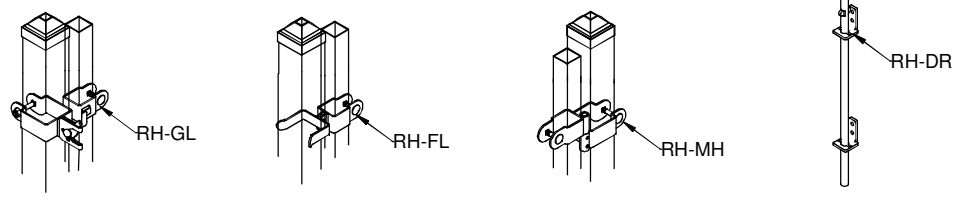



F-F: TYPICAL SPACING FOR TWO 08 DDGP-196 1/2"
 SPACING CAN VARY DEPENDING ON GATE
 HARDWARE USED. CONSULT GATE HARDWARE
 INSTRUCTIONS.



Applicable Hardware:



The product design contained on this drawing is proprietary to Fortress Iron, LP, Richardson, Texas, USA, and is not to be copied electronically or manually, or reproduced in any manner, or divulged to other sources, without the expressed written permission of an authorized representative of Fortress Iron L.P.

 <p>Fortress Fence PO Box# 831268 Richardson, TX 75081</p> <p>A division of THE FORTRESS COMPANY www.fortressfence.com</p>	Style: VERSAI SP	Description: SP-VERSAI-H" RES-08-ADGP	
	Height: 46", 58", 70"	Rev #: 0	Rev Date: 8/6/14
	Gate Width: 96"	Scale: Do Not Scale	
	Class: Residential	Drawn By: B B	Date: 7/19/12