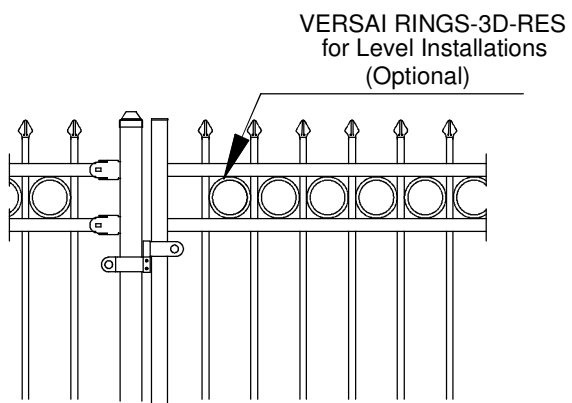
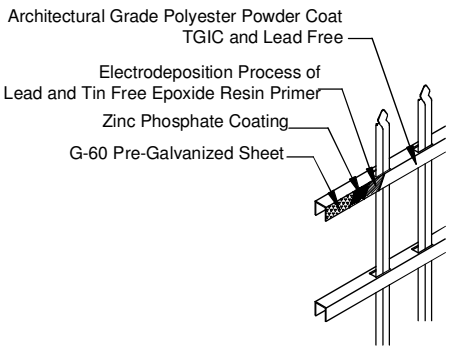
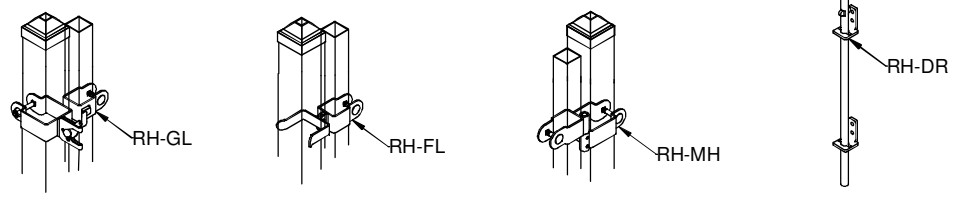



**F-F: TYPICAL SPACING FOR TWO 08 DDGP-196 1/2"**  
**SPACING CAN VARY DEPENDING ON GATE**  
**HARDWARE USED. CONSULT GATE HARDWARE**  
**INSTRUCTIONS.**



**Applicable Hardware:**



The product design contained on this drawing is proprietary to Fortress Iron, LP, Richardson, Texas, USA, and is not to be copied electronically or manually, or reproduced in any manner, or divulged to other sources, without the expressed written permission of an authorized representative of Fortress Iron L.P.

 <p><b>Fortress Fence</b>          PO Box# 831268          Richardson, TX 75081</p>	<b>Style: VERSAI SP</b>	<b>Description: SP-VERSAI-H" RES-08-DDGP</b>	
	<b>Height: 46", 58", 70"</b>	<b>Rev #: 0</b>	<b>Rev Date: 8/6/14</b>
	<b>Gate Width: 96"</b>	<b>Scale: Do Not Scale</b>	
	<b>Class: Residential</b>	<b>Drawn By: B B</b>	<b>Date: 7/19/12</b>